



1st & 2nd Level Order Pickers 1,500 and 2,200 lb. Capacity

V08-01 and V08-02

SERIES 1110

Safety

Attention to detail in all functions is paramount. Inclined platform edge. Operator optimized grip and foothold. Additionally, while traveling, both hands have to be at the control console in order to initiate any movement. An operator-presence sensor is standard equipment.

Performance

V08 models are designed to optimize frequent 1st and 2nd level order picking. Regardless of platform height, with "optilift" design raising and lowering of the platform is comfortable, quick and easy.

Comfort

Low step height (5.3") and a wide platform (17") provide comfortable access to the operator compartment. In addition, a highly cushioned floor mat is designed to reduce stress on legs and back and at the same time functions as the sensor for operator presence.

Linde Material Handling

Linde

Reliability/Durability

Factory recommended 1000 hour periodic maintenance intervals demonstrate design quality and durability from the start. Reliable AC technology keeps it simple.

Service

Digital multi-function display ensures that the driver is always well informed about truck condition. CAN-bus technology enables easy access to all truck data and allows for quick trouble shooting. Including, easy access to all components: reducing downtime in case of a repair.

Standard and optional equipment

Standard equipment:

Multi-function display, including hour meter, BDI, maintenance indication, fault codes.

Ignition key

Max. Cushion floor mat

Storage compartments

Power-assisted, adjustable steering

Automatic speed reduction in curves

Cushion drive wheel

Side battery discharge

AC power system

Can-Bus technology

Various fork lengths

Welded forks (V08-01)

Adjustable forks (V08-02)

Auxiliary lift, (V08-02)

Optional equipment

Drive wheel material, poly, non-marking or wet grip

Inching control

Clipboard

Front shelf (with auxiliary mast)

"Grab-on" support frame

Biometric access

Cold storage protection to -20 degrees

Other options available on request.



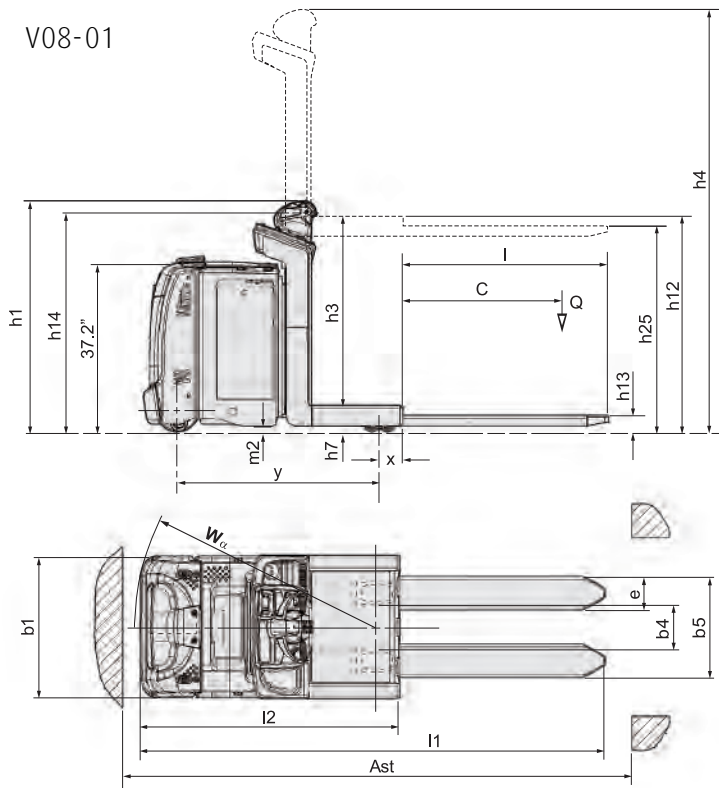
* Picture may show optional equipment.

Technical data

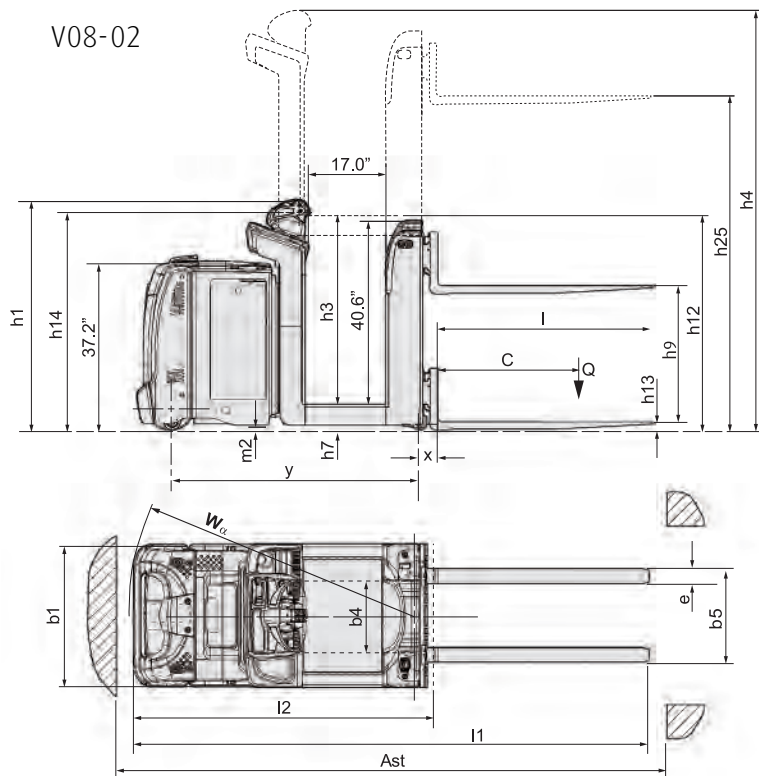
SERIES 1110 (V08-01, V08-02)

August 2013

V08-01



V08-02



SERIES 1110

Characteristics	1.1	Manufacturer		
	1.2	Model designation		
	1.3	Power unit		
	1.4	Operation		
	1.5	Load capacity		Q
	1.6	Load center		C
	1.8	Front overhang		x
	1.9	Wheelbase		y
Weight	2.1	Service weight (operational)		
	2.2	Axle loading with load, front/rear		
	2.3	Axle loading without load, front/rear		
Wheels & Tires	3.1	Tires, load/drive		
	3.2	Tire size: front (x = driven)		
	3.3	Tire size: rear		
	3.5	Wheels: number front		
	3.5.1	Wheels: number rear		
	3.6	Track width, front (caster wheels)		b10
	3.7	Track width, rear (load wheels)		b11
Dimensions	4.2	Overall height, closed		h1
	4.4	Lift height		h3
	4.5	Overall height, raised		h4
	4.8	Platform height, lowered		h7
	4.9	Height of operating controls		h14
	4.10	Fork height, raised (h13+h3+(h9))		h25
	4.11	Auxiliary lift		h9
	4.14	Platform height, raised		h12
	4.15	Fork height, lowered		h13
	4.19	Overall length		l1
	4.20	Length to fork face		l2
	4.21	Overall width		b1/b2
	4.22	Fork dimensions		s/e/l
	4.23	Type carriage ITA, class A		
	4.25	Fork spread		b5
	4.26	I.D. Outriggers		b4
	4.32	Ground clearance, chassis		m2
	4.34	Aisle width		Ast
	4.35	Turning radius		W _α
Performance	5.1	Travel speed, with/without load		
	5.2	Lifting speed, with/without load		
	5.3	Lowering speed, with/without load		
	5.8	Maximum grade ability, with/without load		%
	5.10	Service brake		
Engine	6.1	Drive motor, 60 minute rating		
	6.2	Lift motor rating		
	6.3	Battery size		
	6.4	Battery voltage		
	6.5	Battery weight		
Other	8.1	Travel control		
	8.4	Noise level at driver's ear		

Footnotes

- 1) (± 5 mm)
- 2) (± 10%)
- 3) Figures with battery, see line 6.4/6.5.
- 4) (± 5%)
- 5) Aux. Lift 0.18 / 0.25 lift - 0.50 / 0.16 lower (m/s)
- 5) Aux. Lift 35 / 49 lift - 98 / 31 lower (fpm)
- 6) Not with GMA type pallets

SERIES 1110 (V08-01 and V08-02)

	Linde V08-01 (long) ⁶⁾		Linde V08-01 (short)		Linde V08-02		1.1
	battery		battery		battery		1.2
	low level order picker		low level order picker		low level order picker		1.3
	low level order picker		low level order picker		low level order picker		1.4
lb kg	2200	1000	1600	700	1760	800	1.5
in mm	24	600	19	500	19	500	1.6
in mm	15.6 ¹⁾	395 ¹⁾	-5.1 ¹⁾	-130 ¹⁾	3.62 ¹⁾	92 ¹⁾	1.8
in mm	62.26 ¹⁾	1656 ¹⁾	44.53 ¹⁾	1131 ¹⁾	54.72 ¹⁾	1390 ¹⁾	1.9
lb kg	2863	1299 ²⁾³⁾	3036 ²⁾³⁾	1380 ²⁾³⁾	3503	1589 ²⁾³⁾	2.1
lb kg	1739 / 3364	789 / 1526 ²⁾³⁾	859 / 3902	390 / 1770 ²⁾³⁾	1093 / 4160	496 / 1887 ²⁾³⁾	2.2
lb kg	2045 / 817	928 / 371 ²⁾³⁾	1763 / 1278	800 / 580 ²⁾³⁾	1995 / 1507	905 / 684 ²⁾³⁾	2.3
	polyurethane / cushion rubber		polyurethane / cushion rubber		polyurethane / cushion rubber		3.1
in mm	10 x 4	254 x 102	10 x 4	254 x 102	10 x 4	254 x 102	3.2
in mm	3.35 x 2.35	85 x 60	3.35 x 2.35	85 x 60	3.35 x 2.35	85 x 80	3.3
	1 (driven)		1 (driven)		1 (driven)		3.5
	4		4		2		3.5.1
in mm	10.9	277	10.9	277	10.9	277	3.6
in mm	14.96 ¹⁾	380 ¹⁾	14.96 ¹⁾	380 ¹⁾	20.67 ¹⁾	525	3.7
in mm	50.86 ¹⁾	1292 ¹⁾	50.86 ¹⁾	1292 ¹⁾	50.86 ¹⁾	1292 ¹⁾	4.2
in mm	41.92	1065	41.92	1065	41.92	1065 ¹⁾	4.4
in mm	92.79	2357	92.79	2357	92.79	2357	4.5
in mm	5.31	135	5.31	135	5.31	135	4.8
	48.97	1244	48.97	1244	48.97	1244	4.9
	45.31	1151	45.31	1151	76.81	1951	4.10
in mm	0	0	0	0	31.49	800	4.11
in mm	47.24	1200	47.24	1200	47.24	1200	4.14
in mm	3.39	86	3.39	86	1.81	46	4.15
in mm	102.36 ¹⁾	2600 ¹⁾	102.36 ¹⁾	2600 ¹⁾	113.38 ¹⁾	2880 ¹⁾	4.19
in mm	57.08 ¹⁾	1450 ¹⁾	57.08 ¹⁾	1450 ¹⁾	66.14 ¹⁾	1680 ¹⁾	4.20
in mm	31.49	800	31.49	800	31.49	800	4.21
in mm	2.36 x 7.32 x 45.27	60 x 186 x 1150	2.3 x 7.32 x 45.27	60 x 186 x 1150	1.57 x 3.14 x 47.24	40 x 80 x 1200	4.22
	no		No		Yes		4.23
in mm	22.04	560	22.04	560	8.07 - 28.85	205 - 733	4.24
in mm	9.8	249	9.8	249	15.59	396	4.25
in mm	1.18	30	1.18	30	1.18	30	4.26
in mm	113.58	2885	77.75	1975	124.8	3170	4.34
in mm	77.16 ¹⁾	1960 ¹⁾	60.43 ¹⁾	1535 ¹⁾	65.35 ¹⁾	1660 ¹⁾	4.35
mph km/h	6.2 / 6.2 ⁴⁾	10 / 10 ⁴⁾	6.2 / 6.2 ⁴⁾	10 / 10 ⁴⁾	6.2 / 6.2 ⁴⁾	10 / 10 ⁴⁾	5.1
fpm m/s	41.4 / 27.6 ²⁾	0.21 / 0.14 ²⁾	45.2 / 33.4 ²⁾	0.23 / 0.17 ²⁾	27.6 / 29.5 ²⁾⁵⁾	0.21 / 0.15 ²⁾⁵⁾	5.2
fpm m/s	80.7 / 90.5 ²⁾	0.41 / 0.46 ²⁾	80.7 / 86.6 ²⁾	0.41 / 0.44 ²⁾	88.5 / 84.4 ²⁾⁵⁾	0.45 / 0.48 ²⁾⁵⁾	5.3
	9 / 15		9 / 15		9 / 15		5.8
	electric / hydraulic		electric / hydraulic		electric / hydraulic		5.10
	4	3	4	3	4	3	6.1
hp kw	4	3	4	3	4	3	6.2
in mm	30.9 x 12.2 x 24.8	786 x 310 x 630	30.9 x 12.2 x 34.8	786 x 310 x 630	30.9 x 12.2 x 24.8	786 x 310 x 630	6.3
V	24		24		24		6.4
lb kg	881 ⁴⁾	400 ⁴⁾	881 ⁴⁾	400 ⁴⁾	881 ⁴⁾	400 ⁴⁾	6.5
	(LAC)Linde AC		(LAC)Linde AC		(LAC)Linde AC		8.1
dB (A)	74		74		74		8.4



* Picture may show optional equipment.



* Picture may show optional equipment.

Features

Features

- Compact chassis width of 31.5"
- V08-01 platform with fixed forks
- V08-02 platform with auxiliary lift and ITA type forks



Platform

- 17" wide access
- 5.3" low step height
- Fully proportional "optilift" system
- Soft landing operation

* Picture may show optional equipment.

Operator compartment

- Personal and operational storage compartments
- Soft, cushion floor mat
- Inclined platform edge

Display and access

- Digital, multifunction display
- Standard, key switch access
- Optional, pin code or biometric access

Drive system

- 3kW drive motor, moisture and dust-proof
- AC technology
- Automatic deceleration



Performance

- Simultaneous lifting and travel
- Automatic cornering speed reduction
- Proportional braking force

Controls

- Proportional, power assist steering
- Thumb operated travel controls
- Operator-presence sensor

Service

- Adjustable performance parameters
- Electronic truck management
- Fast and easy component access
- 1000 hr. periodic maintenance intervals



For more information on Linde material handling equipment, please contact:

KION North America Corporation
2450 West 5th North Street, Summerville, SC 29483
Phone: (843) 875-8000 Truck Sales Fax: (843) 875-8471
E-mail: trucksales.na@kiongroup.com
www.kion-na.com

ANSI: Standard truck meets all applicable mandatory requirements of ANSI/ITSDF B56.1 standards for powered industrial trucks.
NOTE: Performance data may vary due to motor and system efficiency tolerances. The performance depicted represents nominal values obtained under typical operating conditions. Metric dimensions are in millimeters unless otherwise specified.
All metric dimensions are not direct equivalents due to rounding data. The descriptions and specifications included on this data sheet were in effect at the time of printing. Linde Material Handling North America Corporation reserves the right to make improvements and changes in specification or design without notice and without incurring obligation. Please check with your authorized Linde dealer for information on possible updates or revisions.