



LPG Forklift Trucks  
Capacity 3000, 3500, and 4000 lb  
H16T EVO, H18T EVO, and H20T EVO  
SERIES 391

Linde Material Handling



### Safety

Linde ProtectorFrame: The overhead guard and its supporting frame form a strong and completely enclosed protective zone providing optimum structural integrity and safety. The top mounted tilt cylinders provide seamless, smooth control of the tilt movements for excellent load stability in all operating conditions.

### Performance

Low fuel consumption levels, low exhaust emissions, and impressive performance. Advanced engine and drive technology combined with the original Linde Load Control system enable the operator to use the truck's potential to maximise productivity. Comfortable and precise fingertip control of all hydraulic functions.

### Comfort

Climb on board relaxed, finish the shift relaxed. Designed to the most advanced ergonomic standards. Spacious cab interior, adjustable armrest, suspension seat, and functional positioning of easy-actuation controls make for a stress-free working environment.

### Reliability

Proven in tough sustained operations. Isolation of the cab from the mast, drive axle and chassis results in reduced shock and vibrations. Maintenance-free and elastic mounting of axles and tilt cylinders cuts downtime and operating costs.

### Productivity

Effective and cost efficient: The "New Generation" Linde hydrostatic drive eliminates torque converter transmission, clutch, differential, and drum brakes. As a result, servicing costs are low, truck uptime is high and productivity is enhanced.

# Standard and optional equipment

## Standard equipment:

Linde twin drive pedals to control forward/reverse travel and braking

Linde Load Control integrated in armrest

Hydraulic-suspension comfort-class seat with extensive range of adjustments

Hydrostatic steering with on-demand power assist

Dual engine combustion air pre-cleaners

High-performance hydraulic filters

Comprehensive overhead digital instrumentation display (anti-glare surface )

3-function hydraulic control valve with "finger-tip control" handles and armrest with storage compartment

Linde engine protection system (LEPS)

Linde Curve Assist

Plenty of storage space

Top-mounted tilt cylinders

Zero-maintenance mast and tilt cylinder mountings

Twin front work lamps

Regulated catalytic muffler

Parking brake

Tow pin

Anti restart ignition

LPG ultrasonic fuel level indicator

## Optional equipment:

Single drive pedal with direction selector positioned on armrest

Integral sideshift

Auxiliary hydraulic circuits for all mast types

Overhead guard can be upgraded to full cabin with roof, front and rear screens and doors (also available with tinted glass)

Wiper-washers for front, rear and roof screens

Cab heater with integral pollen filter

Roof shade, clipboard, interior lighting

LBR

Truck lighting, work lamps

Audible reversing alarm, amber warning light

Paperwork clip board

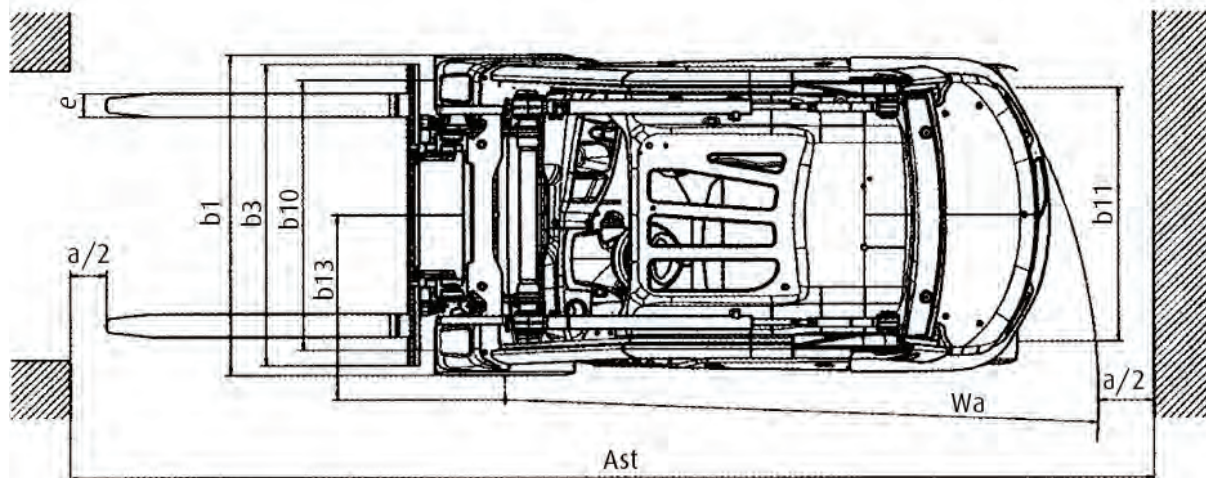
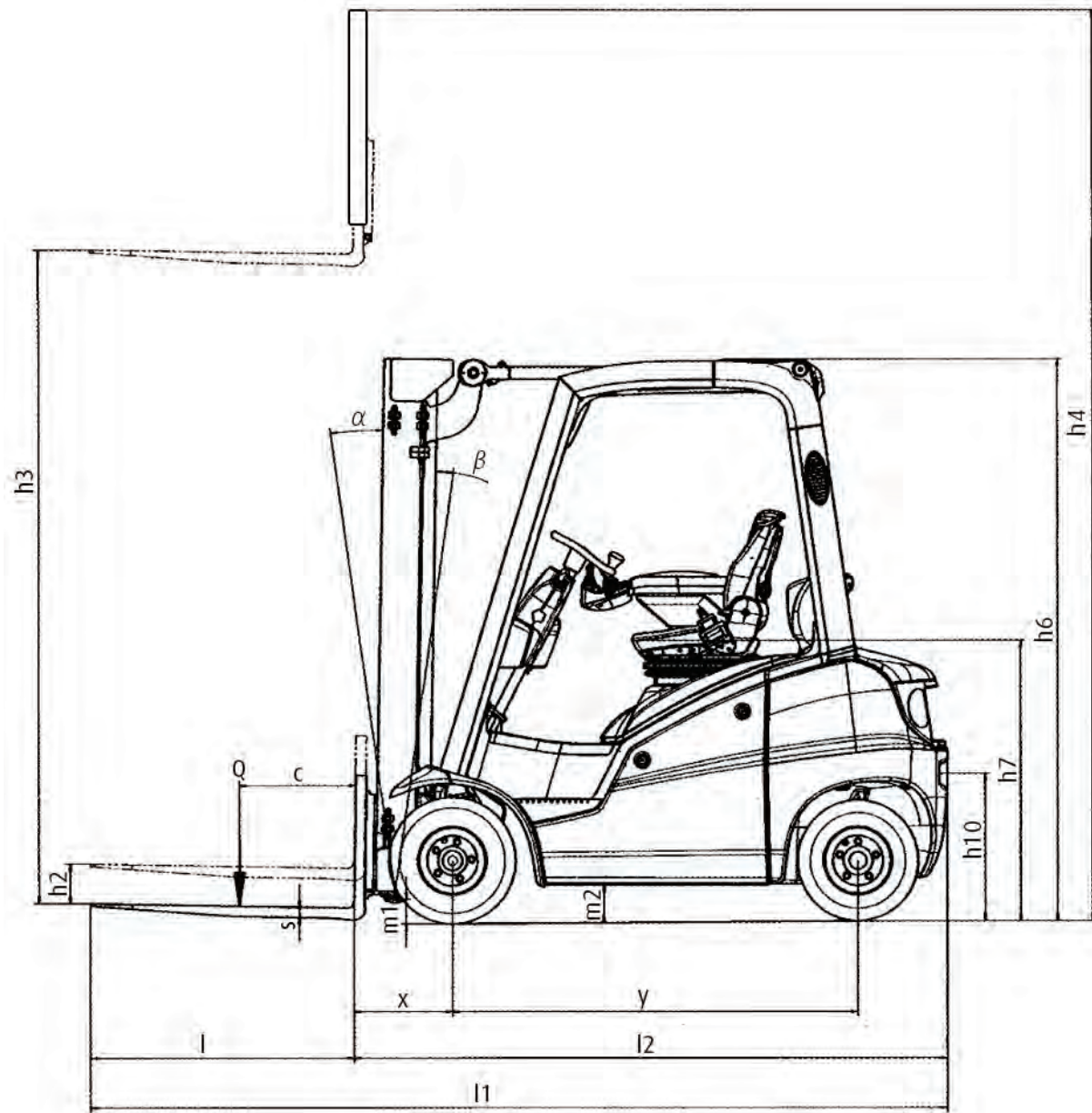
17° Pivoting operators seat

Electronic tilt angle limiting

Custom paint

Mirrors

Other options available on request



# Technical data

March 2015

SERIES 391 T

Characteristics	1.1	Manufacturer		
	1.2	Model designation		
	1.3	Power unit: LP gas		
	1.4	Operation: rider seated		
	1.5	Load capacity		Q lb (kg)
	1.6	Load center		c in (mm)
	1.8	Load distance (center of drive axle to fork face)		x in (mm)
	1.9	Wheelbase		in (mm)
	Weight	2.1	Service weight	
2.2		Axle loading with load, front/rear		lb (kg)
2.3		Axle loading without load, front/rear		lb (kg)
Wheels & Tires	3.1	Tire type - front/rear: SE (cushion super elastic)		
	3.2	Tire size: front		in (mm)
	3.3	Tire size: rear		in (mm)
	3.5	Wheels: number front/rear (x = driven)		
	3.6	Track width, front		b10 in (mm)
	3.7	Track width, rear		b11 in (mm)
	Dimensions	4.1	Mast/fork carriage tilt: forward/back	
4.2		Height of mast lowered		h1 in (mm)
4.3		Free lift		h2 in (mm)
4.4		Lift		h3 in (mm)
4.5		Height of mast extended		h4 in (mm)
4.7		Height of overhead guard/cab		h6 in (mm)
4.8		Height of seat		h7 in (mm)
4.12		Height of tow coupling		h10 in (mm)
4.19		Overall length		l1 in (mm)
4.20		Length to fork face		l2 in (mm)
4.21		Overall width		b1/b2 in (mm)
4.22		Fork dimensions		s/e/l in
4.23		Fork carriage: class		
4.24		Width of fork carriage		b3 in (mm)
4.31		Ground clearance under mast, with load		m1 in (mm)
4.32		Ground clearance, center of wheelbase		m2 in (mm)
4.33	Aisle width		Ast in (mm)	
4.35	Turning radius		Wa in (mm)	
4.36	Minimum pivot point distance		b13 in (mm)	
Performance	5.1	Travel speed, with/without load		mph (km/h)
	5.2	Lifting speed, with/without load		fpm (m/s)
	5.3	Lowering speed, with/without load		fpm (m/s)
	5.5	Drawbar pull, with/without load		lbs (N)
	5.7	Climbing ability, with/without load		%
	5.9	Acceleration, with/without load		sec
	5.10	Service brake		
Engine	7.1	Engine manufacturer/model		
	7.2	Engine rating		hp (kW)
	7.3	Rated speed		rpm <sup>1</sup>
	7.4	Number of cylinders/Engine displacement		cu in (cc)
Other	8.1	Traction control		
	8.2	Working pressure for attachments		psi (bar)
	8.3	Oil flow attachments		gal/min (l/min)
	8.4	Noise level at driver's ear		dB(A)

<sup>1</sup> Add 1 in (25 mm) for triple mast

<sup>2</sup> Plus length of load plus clearance for 90° stack

<sup>3</sup> SE tires 200/50-10 for simple and dual mast from 177 in. lift and triple mast from 185 in. lift add 3.2 in (81 mm)

Linde		Linde		Linde	1.1
H16 T		H18 T		H20 T	1.2
LP		LP		LP	1.3
Rider seated		Rider seated		Rider seated	1.4
3000	(1600)	3500	(1800)	4000	(2000) 1.5
24	(500)	24	(500)	24	(500) 1.6
14.3	(365)	14.3	(370)	14.5	(374) 1.8
59.1	(1500)	60.6	(1540)	63.0	(1600) 1.9
6008	(2725)	6371	(2890)	6702	(3040) 2.1
7717 / 1291	(3780 / 545)	8583 / 1288	(4120 / 570)	9412 / 1290	(4440 / 600) 2.2
2767 / 3241	(1255 / 1470)	2866 / 3505	(1300 / 1590)	2976 / 3726	(1350 / 1690) 2.3
SE		SE		SE	3.1
18 x 7-8		200 / 50-10		200 / 50-10	3.2
18 x 7-8		18 x 7-8		18 x 7-8	3.3
2 x / 2		2 x / 2		2 x / 2	3.5
36.6	(930)	36.6	(930)	37.2	(945) 3.6
34.4	(873)	34.4	(873)	34.4	(873) 3.7
6.0 / 6.0		6.0 / 6.0		6.0 / 6.0	4.1
See mast table		See mast table		See mast table	4.2
See mast table		See mast table		See mast table	4.3
See mast table		See mast table		See mast table	4.4
h3 + 48"		h3 + 48"		h3 + 48"	4.5
83.6	(2123)	83.6	(2123)	83.6	(2123) 4.7
42.0	(1067)	42.0	(1067)	42.0	(1067) 4.8
21.9	(557)	21.6	(549)	20.9	(530) 4.12
129.0	(3112)	130.4	(3152)	133.5	(3231) 4.19
87.0 <sup>1</sup>	(2212) <sup>1</sup>	88.4 <sup>1</sup>	(2252) <sup>1</sup>	91.5 <sup>1</sup>	(2331) <sup>1</sup> 4.20
42.8 <sup>3</sup>	(1086) <sup>3</sup>	45.4	(1152)	45.4	(1152) 4.21
1.5 x 4 x 42		1.5 x 4 x 42		1.5 x 4 x 42	4.22
2A		2A		2A	4.23
40.9	(1040)	40.9	(1040)	40.9	(1040) 4.24
3.7	(93)	3.6	(92)	3.7	(95) 4.31
4.7	(119)	4.6	(118)	4.8	(121) 4.32
93.3 <sup>2</sup>	(2370) <sup>2</sup>	94.9 <sup>2</sup>	(2411) <sup>2</sup>	98.2 <sup>2</sup>	(2495) <sup>2</sup> 4.33
78.9	(2005)	80.4	(2041)	83.5	(2121) 4.35
23.6	(600)	24.2	(615)	25.1	(638) 4.36
12.4 / 12.4	(20.0 / 20.0)	12.4 / 12.4	(20.0 / 20.0)	12.4 / 12.4	(20.0 / 20.0) 5.1
118.1 / 124.0	(0.6 / 0.63)	118.1 / 124.0	(0.6 / 0.63)	106.3 / 112.2	(0.54 / 0.57) 5.2
112.2 / 112.2	(0.57 / 0.57)	112.2 / 112.2	(0.57 / 0.57)	112.2 / 112.2	(0.57 / 0.57) 5.3
2900 / 2214	(12900 / 9850)	2900 / 2293	(12900 / 10200)	2900 / 2383	(12900 / 10600) 5.5
32 / 37		29 / 36		27 / 36	5.7
4.9 / 4.3		5.0 / 4.5		5.1 / 4.6	5.9
Hydrostatic		Hydrostatic		Hydrostatic	5.10
VW / BEF		VW / BEF		VW / BEF	7.1
37.5	(28)	37.5	(28)	37.5	(28) 7.2
2100		2100		2100	7.3
4 / 121	(4 / 1984)	4 / 121	(4 / 1984)	4 / 121	(4 / 1984) 7.4
Hydraulic/ininitely variable		Hydraulic/ininitely variable		Hydraulic/ininitely variable	8.1
2466	(170)	2466	(170)	2466	(170) 8.2
10.0	(38)	10.0	(38)	10.0	(38) 8.3
73		73		73	8.4

# Capacity and Mast Information\*

Mast Capacity Table

h1	h3	h2	
83.5	124	0.0	Simple
91.5	138.5	0.0	Simple
83.5	123	60	Dual
91.5	139	68	Dual
83.5	182	60	Triple
85.5	188	62	Triple
91.5	206	68	Triple
97.5	215	70.5	Triple

## 391 Series (H16 T)

1.5" x 4" x 42" Forks\*\*  
SE 180/70-8 (18 X 7-8) SC 15 Drive Tires\*\*

Capacity (lb) @ 24" Load Center\*\*

Std. Carriage*	Integral SS Carriage*	Hang-on SS Carriage*
3,000	3,000	2,865
3,000	3,000	2,865
3,000	3,000	2,865
3,000	3,000	2,865
3,000	2,850	2,820
2,985	2,685	2,685
2,650	2,175	2,175
2,385	1,895	1,895

Mast Capacity Table

h1	h3	h2	
83.5	124	0.0	Simple
91.5	138.5	0.0	Simple
83.5	123	60	Dual
91.5	139	68	Dual
83.5	182	60	Triple
85.5	188	62	Triple
91.5	206	68	Triple
97.5	215	70.5	Triple

## 391 Series (H18 T)

1.5" x 4" x 42" Forks\*\*  
SE 200/50-10 SC 15 Drive Tires\*\*

Capacity (lb) @ 24" Load Center\*\*

Std. Carriage*	Integral SS Carriage*	Hang-on SS Carriage*
3,500	3,500	3,280
3,500	3,500	3,280
3,500	3,500	3,280
3,500	3,500	3,280
3,500	3,375	3,280
3,500	3,190	3,190
3,245	2,630	2,630
2,925	2,320	2,320

Mast Capacity Table

h1	h3	h2	
83.5	124	0.0	Simple
91.5	138.5	0.0	Simple
83.5	123	60	Dual
91.5	139	68	Dual
83.5	182	60	Triple
85.5	188	62	Triple
91.5	206	68	Triple
97.5	215	70.5	Triple

## 391 Series (H20 T)

1.5" x 4" x 42" Forks\*\*  
SE 200/50-10 SC 15 Drive Tires\*\*

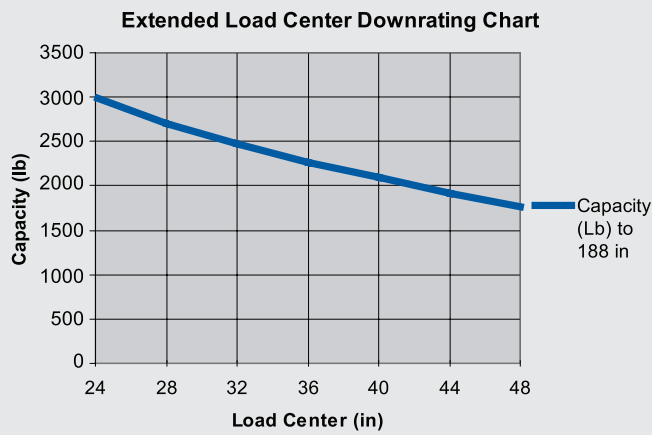
Capacity (lb) @ 24" Load Center\*\*

Std. Carriage*	Integral SS Carriage*	Hang-on SS Carriage*
4,000	4,000	3,670
4,000	4,000	3,670
4,000	4,000	3,670
4,000	4,000	3,670
4,000	3,775	3,670
4,000	3,570	3,570
3,635	2,955	2,955
3,275	2,590	2,590

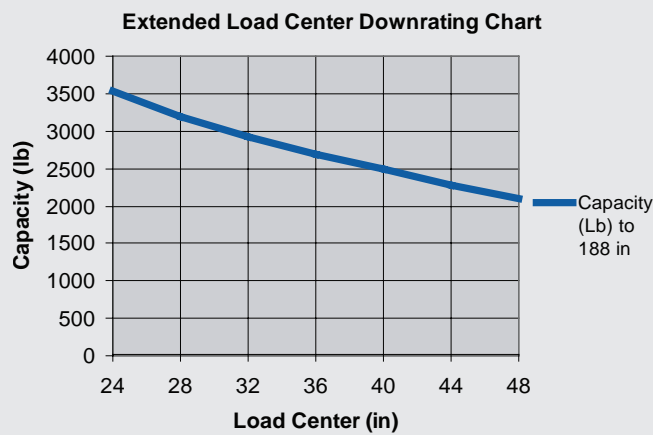
# Downrating Charts\*

Reference SE tires with standard carriage and forks only.

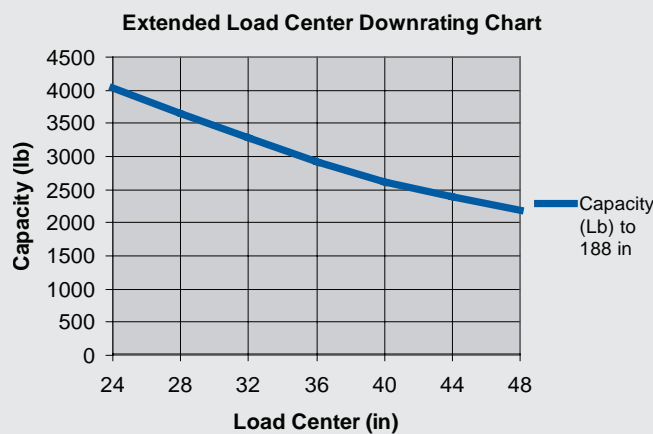
## H16 T (188 Triple Mast)



## H18 T (188 Triple Mast)



## H20 T (188 Triple Mast)



\*For quick reference only, contact factory for detailed ratings.

\*\*Capacity ratings can be affected by changing forks, load center, and/or drive tires.

# Features

## Original Linde hydrostatic drive

- Responsive, smooth and precise driving
- No clutch, differential or drum brakes; hydrostatic drive assumes function of service brake
- Robust drive system, proven in severe duty environments
- Low maintenance costs and long life



## Linde ProtectorFrame

- Safe and robust chassis, enclosed on all sides
- Engine hood and servicing doors open wide for convenient access to all components

## Linde dual travel control

- Quick change of forward/reverse direction
- Short pedal stroke
- No leg fatigue
- Increased productivity

## Linde Load Control (LLC)

- Accurate, safe load handling
- Effortless fingertip control of all hydraulic functions
- Traction and all hydraulic functions completely separate

## High-economy engine technology

- LPG engines incorporating the most advanced technology
- High torque
- Low fuel consumption
- Low exhaust gas and soot emission levels



## Operator compartment

- Designed to advanced ergonomic standards
- Spacious cab with automobile equivalent legroom
- Excellent visibility of load and surroundings
- Cushioned drive and steer axles reduce road shock
- Standard sound abatement design (73 dBa)

## Linde Truck Control (LTC)

- Reliable microprocessor controller technology
- Easily matched to individual application requirements
- Component protection resulting from redundant monitoring systems
- Automatic control of engine RPM

## Linde clear-view mast

- Superb visibility
- Exceptional residual capacity
- Zero-maintenance shock mounting of mast and tilt cylinders
- Electronic limiting of tilt angle



**For more information on Linde material handling equipment, please contact:**

KION North America Corporation  
 2450 West 5th North Street, Summerville, SC 29483  
 Phone: (843) 875-8000 Truck Sales Fax: (843) 875-8471  
 E-mail: trucksales.na@kiongroup.com  
 www.kion-na.com

ANSI Standard truck meets all applicable mandatory requirements of ANSI/ITSDF B56.1 standards for powered industrial trucks.  
 NOTE: Performance data may vary due to motor and system efficiency tolerances. The performance depicted represents nominal values obtained under typical operating conditions. Metric dimensions are in millimeters unless otherwise specified. All metric dimensions are not direct equivalents due to rounding data. The descriptions and specifications included on this data sheet are in effect at the time of printing. Linde Material Handling North America Corporation reserves the right to make improvements and changes in specification or design without incurring obligation. Please check with your authorized Linde dealer for information on possible updates or revisions.

linde\_spec\_391\_1 classv  
 USA\_V12.5\_(03.09.2015)