

# PTE15-20Q2-A

# PTE15-20Q2-B

Walkie Pallet Truck  Li-ion Series

*Smart Design | CAN Bus | Light Weight | Small Size  
Best Cost Performance Ratio | Low Service Weight*



# PTE15-20Q-A/ PTE15-20Q2-B

The newly upgraded **ATOM lithium powered pallet truck** showcases nimble performance with lighter weight. Providing an ideal solution for material handling in supermarkets, workshop internal logistics, and other occasions.



## ERGONOMIC & SMART TILLER

- Turtle speed button
- Vertical drive function
- LED's for battery charge
- Level fault code indication
- Removeable key switch for access control



BACK



FRONT

- Emergency-reverse & horn-buttons

- Electric lifting and lowering



The tiller integrates multiple functions and is easy to operate. The standard power display and fault display make the status of truck clear at a glance, and also make management of truck much safer. All ergonomic switches and buttons are designed in the best accessible position for convenient operation.

*The **ATOM** can turn safely in narrow spaces*

# GRADEABILITY & ROBUSTNESS



The covering parts outside the frame not only provide a novel and unique shape for the product but also play a good role in protecting the main components.



Because the thickness of the forks is increased from 2.75mm to 4.5mm and the thickness of the outer plate of the whole truck is not less than 4mm, the chassis and the frame become stronger and more durable.



The Atom adopts 24V DC permanent magnet motor technology. The use of large-diameter driving wheels enhances the truck's ability to pass obstacles.

## ROBUST & SMART DESIGN OF CHASIS



Strong and compact structure of chassis helps to ensure long service time of the truck, without sacrificing the truck's weight or putting under question the strength of frame.

Greater grade ability. With the support of batteries above 30Ah, the full capacity of the truck can reach 9%, and it can be easily operated on the packing platform and other delivery situations.

## EASY MAINTENANCE & SMART CONTROLLING SYSTEM



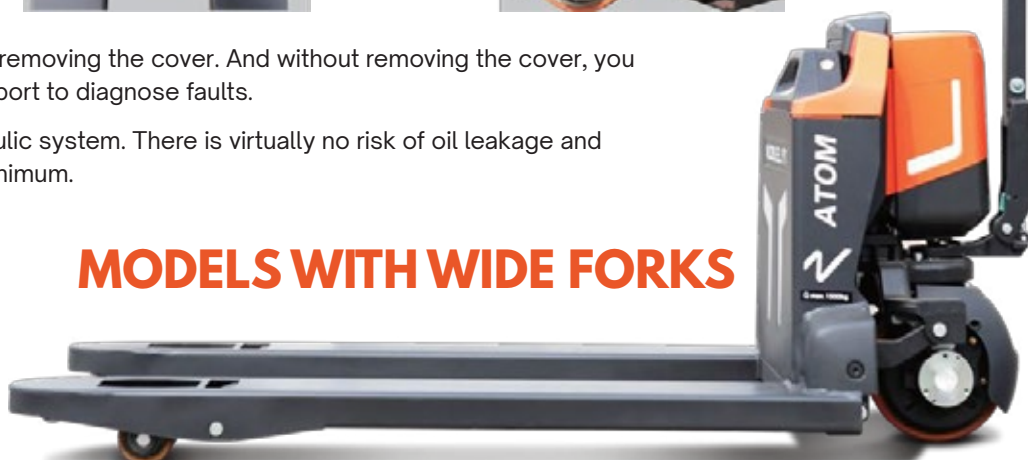
Maintenance can be easily done just by removing the cover. And without removing the cover, you can only use the external programming port to diagnose faults.

The most reliable structure of the hydraulic system. There is virtually no risk of oil leakage and the pressure loss is controlled to the minimum.

### CAN-bus

Equipped with Curtis controller and CAN-bus technology, making it easier for checking operation condition and troubleshooting.

### MODELS WITH WIDE FORKS



# SMART AND REPLACEABLE BATTERIES FOR PALLET TRUCKS

## Optional different battery capacities for various applications

The batteries of the Atom series are equipped with maintenance-free lithium iron phosphate batteries as standard, and its capacity can be selected according to different usage requirements.


Due to the fast charging and on-the-go characteristics of the lithium battery, the working time of the truck is significantly extended.



Smart battery positioning and lock for great fixation and safety



- The BMS function of the battery has been upgraded, which can protect more. Easier way to use, No charging sequence, Optimized battery switch.
- There are 8A and 12A external truck chargers to choose from, which is more convenient to charge.

 Min. 2 ~ 3 hours charge | **Excellent Working Time**



Quick battery change, handle with long arm, cut off the power in time in abnormal situation

## COMPARISON OF LITHIUM BATTERY & LEAD ACID BATTERY

MODEL	LITHIUM BATTERY	LEAD ACID BATTERIES
Cycle life	2000-4000 cycles	300-500 cycles
Safe	2000-4000 cycles	300-500 cycles
Charging time	<2h	Above 8h
Power conversion rate	Power conversion rate >97%	Power conversion rate ≤80%
Volume	Small size 2/3 of the volume of lead-acid batteries	Big
Weight	Light weight: 1/3-1/4 of lead-acid batteries	Heavy
Maintenance free	Maintenance free	Distilled water or acid solution needs to be added regularly
Powerful	Stable voltage output, low self weight, strong power	The voltage in the first half is high, the voltage is the second half is low, and the power is attenuated when the voltage is low
Memory effect	No memory effect, can be charged and discharged at any time	Has memory (affects battery life)

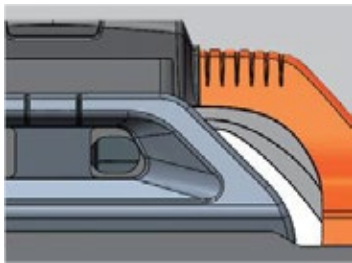


- The form of the tail cover can be selected according to protection and pass-ability

- The form of the tail cover can be selected according to protection and pass-ability



- Steering wheels are optional



- Introduction of battery anti-theft function

# ATOM



- Wider load wheels

# TYPE SHEET FOR INDUSTRIAL TRUCK ACC. TO VDI 2198

## DISTINGUISHING MARK

1.2	Manufacturer's type designation		PTE15Q2-A	PTE20Q2-A	PTE15Q2-B	PTE20Q2-B
1.3	Drive: electric (battery type, mains, ...), diesel, petrol, fuel gas		Battery		Battery	
1.4	Operator type: hand, pedestrain, standing, seated, order-picker		Pediatrain		Pedistrain	
1.5	Rated capacity/ rated load	Q(t)	1.5	2.0	1.5	2.0
1.6	Load centre distance	c(mm)	600		600	
1.8	Load distance, centre of drive axle to fork	x(mm)	947		947	
1.9	Wheel base	y(mm)	1189		1189	

## WEIGHT

2.1	Service weight	kg	121	125	130	133	121	125	130	133
2.2	Axle loading, laden front/rear	kg	621/1000	610/1015	660/1470	650/1483	621/1000	610/1015	660/1470	650/1483
2.3	Axle loading, unladen front/rear	kg	90/31	95/30	99/31	100/33	90/31	95/30	99/31	100/33

## TYRES, CHASIS

3.1	Tires		Polyurethane (PU)				Polyurethane (PU)			
3.2	Tire size, front	Øxw(mm)	Ø 220x70				Ø 220x70			
3.3	Tire size, rear	Øxw(mm)	Ø74x93 <sup>1)</sup> / Ø 80x70 (Ø 80x93)				Ø74x93 <sup>1)</sup> / Ø 80x70 (Ø 80x93)			
3.4	Additional wheels (dimensions)	Øxw(mm)	-/Ø80 x 30				-/Ø80 x 30			
3.5	Wheels, number front/ rear(x= driven wheels)		1x/ 2(1x/4) or 1x +2/ 2(1x+2/4)				1x/ 2(1x/4) or 1x +2/ 2(1x+2/4)			
3.6	Tread, front	b10(mm)	-/430				-/430			
3.7	Tread, rear	b11(mm)	380	525	380	525	380	525	380	525

## DIMENSIONS

4.4	Lift	h3(mm)	115				115			
4.9	Height drawbar in driving position min./ max.	h14(mm)	715/1125				715/1125			
4.15	Height, lowered	h13(mm)	75 <sup>2)</sup> /80				75 <sup>2)</sup> /80			
4.19	Overall length	l1(mm)	1530				1538			
4.20	Length to face of forks	l2(mm)	380				388			
4.21	Overall width	b1(mm)	540	685	540	685	540	685	540	685
4.22	Fork dimensions DIN ISO 2331	s/e/l(mm)	50/160/1150				50/160/1150			
4.25	Fork spread	b5(mm)	540	685	540	685	540	685	540	685
4.32	Ground clearance, centre of wheelbase	m2(mm)	25 <sup>3)</sup> /30				25 <sup>3)</sup> /30			
4.34	Aisle width predetermined load dimensions	Ast(mm)	2005				2013			
4.35	Turning radius	Wa(mm)	1332				1340			

## PERFORMANCE

5.1	Travel speed, laden/unladen	km/h	4.4/4.9		4.9/4.9		4.4/4.9		4.9/4.9	
5.2	Lift speed, laden/unladen	m/s	0.015/0.022		0.015/0.019		0.015/0.022		0.015/0.019	
5.3	Lowering speed, laden/unladen	m/s	0.05/0.04		0.052/0.023		0.05/0.04		0.052/0.023	
5.8	Max. gradeability, laden/unladen	%	6/16		7/16		6/16		7/16	
5.10	Service brake		Electromagnetic				Electromagnetic			

## ELECTRIC-ENGINE

6.1	Drive motor rating S2 60min	kW	0.75		1.0		0.75		1.0	
6.2	Lift motor rating at S3 10%	kW	0.50		0.8		0.50		0.8	

6.3	Battery acc. to DIN 43531/36/36 A, B, C no		NO		NO	
6.4	Battery voltage/nominal capacity K5	V/Ah	24/20; 24/30; 24/50	48/20	24/20 ; 24/40	48/20
6.5	Battery weight	kg	6.3	8.1	5.8	8.1
6.6	Energy consumption acc. to DIN EN 16796	kWh/h	0.25	0.17	0.25	0.17

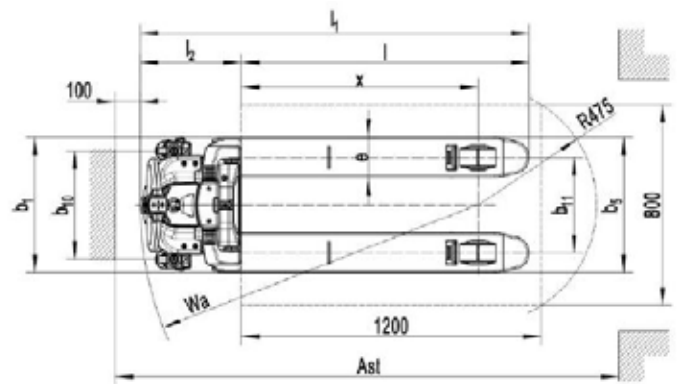
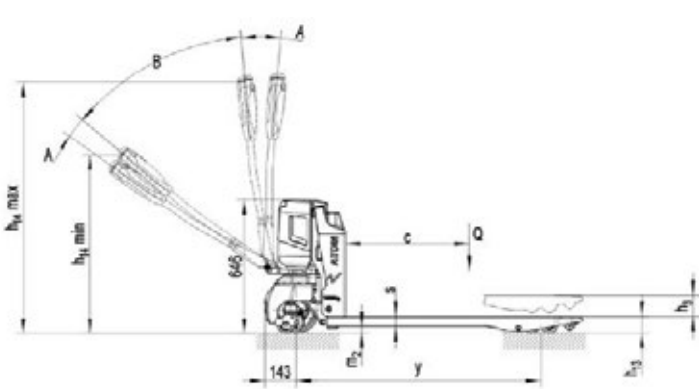
### ADDITIONAL DATA

8.1	Type of drive unit		DC		DC	
8.4	Sound pressure level at driver's seat	dB(A)	<70		<70	

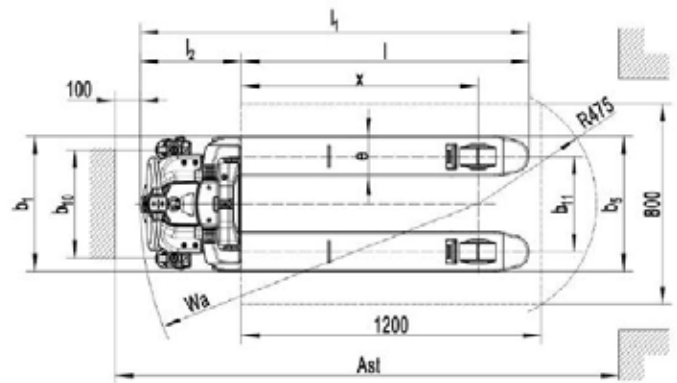
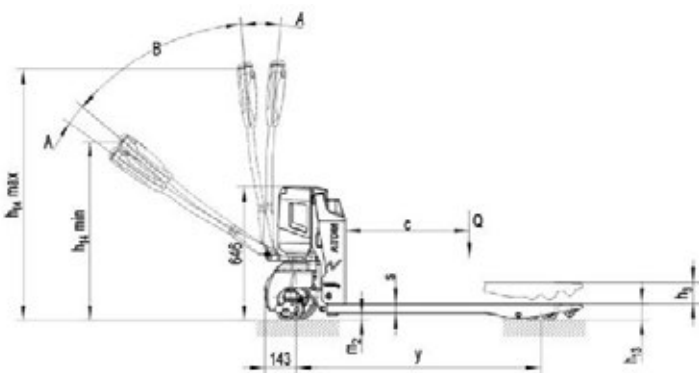
**Note:**

- 1) For truck equipped with this load roller, h13 is 75mm;
- 2) Here indicates that the truck is equipped with single load roller;
- 3) When h13 is 75mm, then m2 is 25mm.

## PTE15-20Q2-A



## PTE15-20Q2-B



Montreal | Quebec | Saguenay

[elevex.ca](http://elevex.ca)

**MONTREAL (Head office)**

100A, Hymus Blvd. Pointe-Claire (QC) H9R 1E4  
 Phone: 514 694-4223 Toll free: 1 866 421-4223

**QUEBEC**

1279, Paul-Émile Giroux St. Suite 200 Québec (QC) G1C 0K9  
 Phone: 418 694-4223 Toll free : 1 866 421-4223

**SAGUENAY**

2305, Alexis-Le-Trotteur, St. Jonquière (QC) G7X 9H8  
 Phone: 418 543-0000 Toll free: 1 866 421-4223

[info@elevex.ca](mailto:info@elevex.ca)

