

110/130/160D-9

25,000-36,000 lbs. capacities

Diesel · Pneumatic Tire

HYUNDAI

MATERIAL HANDLING

NO ONE DELIVERS MORE

MORE POWER.
MORE PERFORMANCE.
ALL FOR MORE PRODUCTIVITY
WITH LESS COST.



Get more of what you're looking for: THE 110, 130, 160D-9 FROM HYUNDAI

Rugged, durable, powerful. The D-9 Series is all those things, but so much more. These heavy-duty powerhouses deliver efficiency with their high-performance Cummins turbocharged engines. They offer greater comfort with their roomy, ergonomic cabs. They instill operator confidence with their comprehensive safety features. And they cut downtime with their tilting cabin and hood for ease of servicing. No other forklift in its class offers as impressive an array of advanced features as the D-9.

So, for your toughest tasks in the most challenging environments, you need a D-9 Series forklift. Check out all the quality, economy, reliability, and advanced features Hyundai brings you.



POWERFUL, ECONOMICAL CUMMINS ENGINE

This proven, 6-cylinder, turbocharged engine delivers more torque with greater fuel economy, while meeting EPA Tier 4 and EU Stage IV emission regulations. It also includes:

- Fully automatic ZF transmission for responsiveness and smooth shifting with reduced noise and heat
- Kessler high capacity drive axle for superior power matched with maintenance-free wet disc brakes
- Outstanding gradeability and travel speeds up to 25 MPH



ROOMY, ERGONOMIC CABIN

The D-9 cabin is designed to increase operator productivity, while reducing fatigue. It includes automatic climate control, a full air suspension seat, and a host of comfort features:

- Fully adjustable tilting and telescoping steering wheel
- Centralized instrument panel that places all key controls readily within reach
- Electronic accelerator and inching pedals and hydraulic servo brake pedal for precise handling



INFORMATION RICH CLUSTER

The cluster panel consolidates and clearly displays important information, real-time data, onboard diagnostics, data logging, safety features, maintenance tracking and more to give operators complete control. It also includes the ability to quickly change performance modes based on the work and terrain.



EASY SERVICE ACCESS

The D-9 Series is designed to make quick work out of servicing. Its electric tilting cab opens to about 65° for ready access to the powertrain, key components, and consumables. To further reduce downtime, the cluster has a Maintenance Management system that alerts you when scheduled servicing is needed.



SAFETY FIRST

An optimized cylinder arrangement provides outstanding visibility of the workplace. Other safety features include an Operator Presence Sensing System that requires the operator to be present, in the seat, to have the use of the travel and hydraulic functions, including tilting, lifting, and lowering.



BACKUP CAMERA

This standard safety feature provides additional visibility when backing up.



RESPONSIVE LEVERS

The highly responsive operating levers have a unique hydraulic system that allows fast response for precise handling.

The D-9 Series brings you even more advantages.

- Load sensing hydraulic system and fully hydraulic steering system for exceptional operating efficiency and handling
- Auto parking brake is engaged if the operator leaves the seat while the gear lever is in neutral
- Choice of standard engine mode for light loads and to save fuel and a power mode for heavy loads and steep grades
- Inclination warning system that includes an audible warning if safe operating parameters are exceeded
- LED work lights for longer life and enhanced visibility
- Load weight indicator displays the load weight and includes a warning in the cluster if the maximum capacity is exceeded
- Speed limiting function allows you to set a maximum vehicle speed to safeguard the equipment, operator and load
- Down safety valve prevents forks from dropping in the event of damage to the hydraulic line
- Password starting system prevents unauthorized operation of the equipment
- Engine fault codes are clearly displayed on the cluster to readily identify and solve potential equipment issues
- Positive internal air pressure helps to reduce noise and eliminate dust particles from entering the cabin

HiMATE



ONLY HYUNDAI OFFERS YOU SUCH A COMPREHENSIVE, FULLY INTEGRATED TELEMATICS SYSTEM.

Hi-Mate works by collecting key data from sensors mounted to your equipment that track operation of the forklift, relaying that information to your computer or mobile device in real time. By monitoring key components, such as the engine, electric system, and hydraulics, Hi-Mate can help you evaluate machine and operator performance, create preventive maintenance programs, and help you minimize downtime as you maximize productivity.

Equipment operation management

Real-time monitoring and follow-up management of individual pieces of equipment or equipment fleet deliver essential operational status and information, including:

- Key-on time, travel hours, work hours, and GPS location

Equipment status management

Vital diagnostic and maintenance data is relayed as alerts, while Hi-Mate Premium provides tracking of pre-shift checklists to help reduce downtime and ensure OSHA compliance:

- Alerts are sent for DTCs, system warning, and required maintenance

Safe traveling control

An impact monitor provides alerts, accountability, and follow-up management of safety incidents involving equipment during operation:

- The system logs the number and severity of impacts as well as the operator who was logged into the unit at the time of the incident

Human resource management

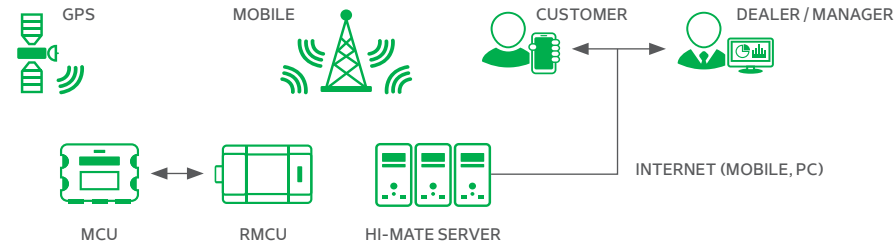
Hi-Mate Premium can control who operates equipment via a pin pad and RFID reader:

- Provided information can be used to evaluate productivity, efficiency, and workforce safety
- Tracking the weight load indicator captures operator productivity

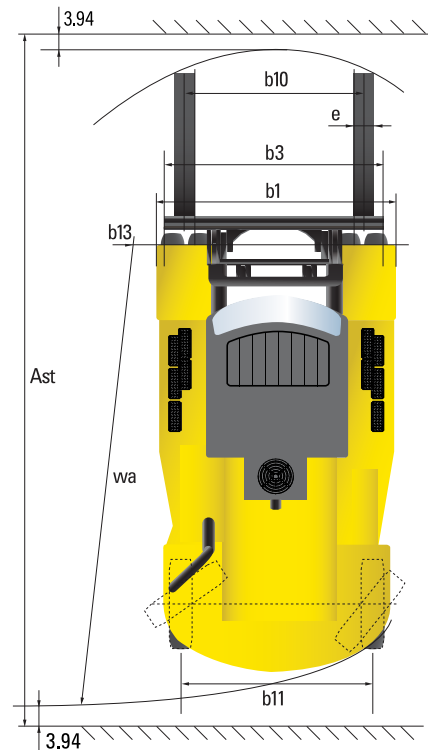
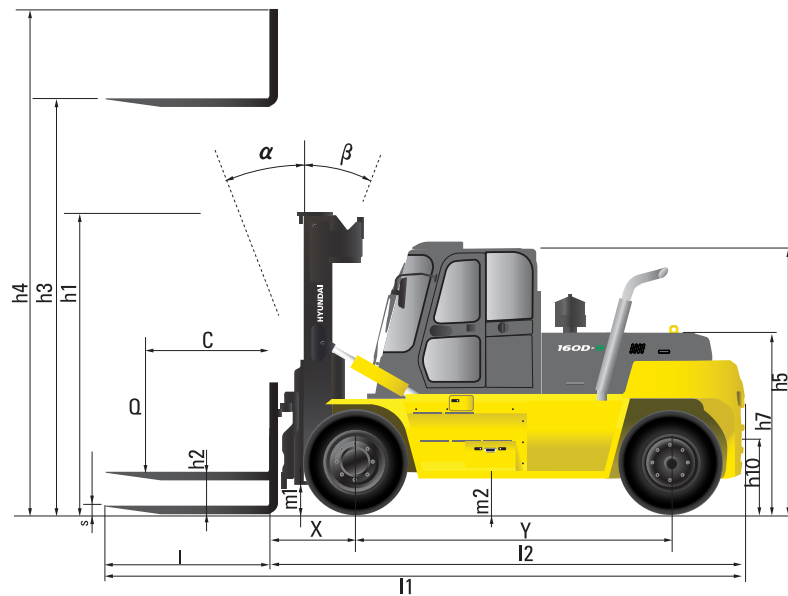
HI-MATE MANAGEMENT SYSTEM

Hi-Mate is one of the industry's most advanced remote management system. With continuous data collection, Hi-Mate delivers more communication, control, and ability to track, monitor, maintain, and manage your forklift fleet. It is the proven way to efficiently coordinate both your equipment and human resources.

Data Flow



Dimensions



Specifications

Identification		Hyundai					
1.1	Manufacturer		Hyundai				
1.2	Manufacturer's Type Designation		110D-9	130D-9	160D-9		
1.3	Drive: Electric (Battery or Mains), Diesel, Petrol, Fuel Gas, Manual		Diesel	Diesel	Diesel		
1.4	Type of Operation : Hand, Pedestrian, Standing, Seated, Order-Picker		Seated	Seated	Seated		
1.5	Load Capacity / Rated Load	Q	lb	25,000	30,000	36,000	
1.6	Load Center Distance	c	in	24	24	24	
1.8	Load Distance, Center of Front Axle to Fork	x	in	29.5	30.3	32	
1.9	Wheelbase	y	in	120.1	120.1	135.8	
Weights							
2.1	Service Weight		lb	35,878	37,458.7	43,744.1	
2.2	Axle Loading, Loaded Front/Rear		lb	52,822.8 / 7,308.3	59,028.8 / 7,090.1	70,567.8 / 8,452.5	
2.3	Axle Loading, Unloaded Front/Rear		lb	17,758.2 / 18,119.8	17,610.5 / 19,848.2	20,824.9 / 22,919.3	
Wheels, Chassis							
3.1	Tires			Pneumatic	Pneumatic	Pneumatic	
3.2	Tires Size, Front			10 x 20 x 16PR	10 x 20 x 16PR	12 x 20 x 18PR	
3.3	Tires Size, Rear			10 x 20 x 16PR	10 x 20 x 16PR	12 x 20 x 18PR	
3.4	Wheels, Number Front Rear (x=Driven Wheels)			4 x 2	4 x 2	4 x 2	
3.6	Track Width, Front		ln	72.5	72.5	72.5	
3.7	Track Width, Rear		in	75.2	75.2	77.2	
Basic Dimensions							
4.1	Mast/Fork Carriage Tilt Forward / Backward		deg	15 / 12	15 / 12	15 / 12	
4.2	Lowered Mast Height		h1	ln	118.1	118.1	128
4.3	Lift Height		h2	ln	118.3	118.3	118.5
4.4	Extended Mast Height		h3	ln	175.8	175.8	185.4
4.5	Overhead Guard (Cab) Height		h4	ln	115.9	115.9	117.3
4.6	Seat Height / rel. to SIP		h5	ln	70.3	70.3	71.8
4.7	Coupling Height		h7	ln	22.1	22.1	23.5
4.8	Overall Length		h10	ln	233.1	233.1	253.2
4.9	Length to Face of Forks		l1	in	179.9	180.3	200
4.10	Overall Width		l2	ln	96.5	96.5	98.3
4.11	Fork Dimensions		L x W x H	in	3 x 7.9 x 53.2	3.3 x 7.9 x 53.2	3.5 x 7.9 x 53.2
4.12	Fork Carriage Width		b3	in	93	93	98
4.13	Ground Clearance, Loaded, Under Mast		m1	in	9.8	9.8	9.8
4.14	Ground Clearance, Center of Wheelbase		m2	ln	13	13.1	14.5
4.15	Aisle Width for Pallets 39.3 x 47.2 Crossways		Ast	in	262	262.2	286.6
4.16	Aisle Width for Pallets 31.5 x 47.2 Lengthways		Ast	in	262	262.2	286.6
4.17	Turning Radius		Wa	in	171.3	171.3	192.7
4.18	Smallest Pivot Point Distnace		b13	in	64.3	64.3	73.4
Performance Data							
5.1	Travel Speed, Unloaded		mph	24.5	24.5	20.7	
5.2	Lift Speed, Loaded / Unloaded		fpm	87 / 100	85 / 100	69 / 88	
5.3	Lowering Speed, Loaded / Unloaded		fpm	100 / 91	100 / 91	85 / 77	
5.6	Max. Drawbar Pull, Loaded		lbf	27,201	27,518	32,357.7	
5.7	Max. Gradeability, Loaded / Unloaded		% / °	45.4 / 24.4	41.1 / 22.3	40.3 / 21.9	
5.10	Service Brake			Hydraulic	Hydraulic	Hydraulic	
Engine							
6.1	Engine Manufacturer / Type			Cummins QSB6.7	Cummins QSB6.7	Cummins QSB6.7	
6.2	Engine Power Acc. to ISO 1585		hp / rpm	165.9 / 2,300	165.9 / 2,300	165.9 / 2,300	
6.3	Maximum Torque		lbf / rpm	164.7 / 1,500	164.7 / 1,500	164.7 / 1,500	
6.4	Number of Cylinders / Displacement		EA/cc	6 / 6,690	6 / 6,690	6 / 6,690	
Additional Data							
8.2	Operating Pressure for Attachments, System / Attachments		psi / in ²	3,000 / 25.6	,000 / 25.6	,000 / 25.6	

*All specifications in this catalog are subject to change according to the optional items.

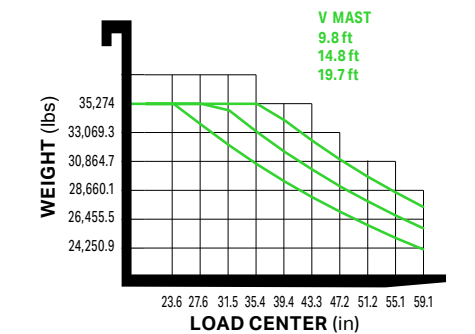
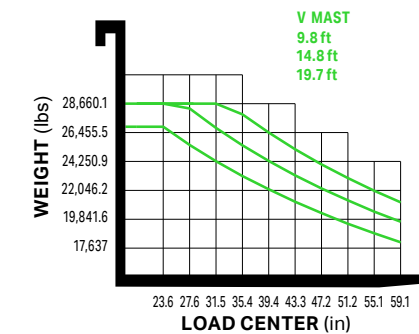
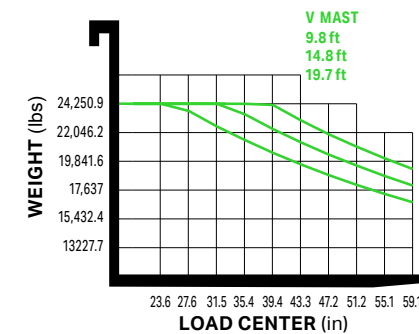
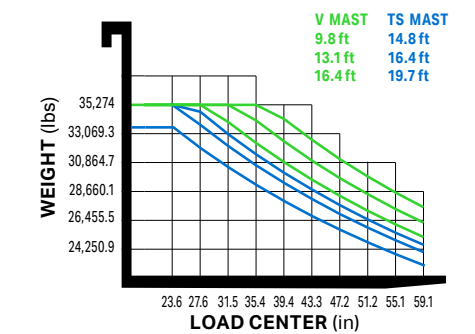
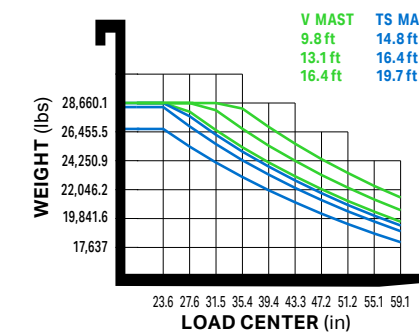
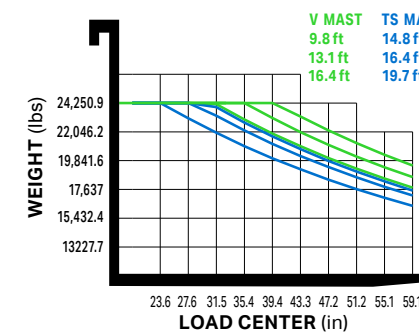
110D-9									
Mast Type		Maximum Fork Height	Overall Mast Height (Lowered)	Free Lift Height	Mast Tilt Angle		Load capacity w/o Sideshift		Truck Weight (Unloaded)
					With Load Backrest	Fwd	Bwd	General	
				in	in	in	deg	deg	lb
2-Stage Limited Free Lift	V300*	118.3	118.1	0	15	12	24,251.9	24,251.9	35,880.2
	V330	130.1	124	0	15	12	24,251.9	24,251.9	36,047.8
	V350	138	128	0	15	12	24,251.9	24,251.9	36,155.8
	V400	157.7	139.8	0	15	12	24,251.9	24,251.9	36,713.6
	V450	177.4	149.6	0	15	12	24,251.9	24,251.9	36,989.2
	V500	197.0	161.4	0	15	12	24,251.9	24,251.9	37,317.6
	V550	216.7	171.3	0	15	12	24,251.9	24,251.9	37,826.9
	V600	236.4	183.1	0	15	12	24,251.9	24,251.9	38,162.0
	V650	256.1	192.9	0	15	12	24,251.9	23,721.7	38,445.2
	V700	275.8	202.8	0	15	12	23,854	22,994.2	38,744.0
2-Stage Full Free Lift	VS300	119.2	118.1	60.8	10	10	24,251.9	24,251.9	36,263.8
	VS350	138.9	128	70.7	10	10	24,251.9	24,251.9	36,572.5
	VS400	158.6	137.8	80.5	10	10	24,251.9	24,251.9	36,885.5
	VS450	178.3	147.6	90.4	10	10	24,251.9	24,251.9	37,202.4
	VS500	198	157.5	100.2	10	10	24,251.9	24,251.9	37,774
	VS550	217.6	167.3	110	10	10	24,251.9	24,251.9	38,254.6
3-Stage Full Free Lift	VS600	237.3	181.1	119.9	10	10	24,251.9	23,898	38,796.9
	TS450	178	116.1	61.2	10	10	24,251.9	24,251.9	38,371.5
	TS500	197.8	122.7	67.9	10	10	24,251.9	24,251.9	38,572.1
	TS550	217.5	129.3	74.4	10	10	24,251.9	24,140.6	38,774.9
	TS600	237.1	139.8	80.9	10	10	24,251.9	23,369	39,094.6
	TS650	256.9	146.4	87.5	10	10	23,633.6	22,663.5	39,297.4
	TS700	276.6	154.9	94	10	10	22,884	21,914	39,828.7
TS750	296.3	161.5	100.6	10	10	22,222.6	21,274.6	40,031.5	

130D-9									
Mast Type		Maximum Fork Height	Overall Mast Height (Lowered)	Free Lift Height	Mast Tilt Angle		Load capacity w/o Sideshift		Truck Weight (Unloaded)
					With Load Backrest	Fwd	Bwd	General	
				in	in	in	deg	deg	lb
2-Stage Limited Free Lift	V300*	118.5	128	0	15	12	35,274	35,274	43,746.3
	V330	130.3	133.9	0	15	12	35,274	35,274	43,953.6
	V350	138.2	137.8	0	15	12	35,274	35,274	44,052.8
	V400	157.9	147.6	0	15	12	35,274	35,274	44,687.7
	V450	177.6	157.5	0	15	12	35,274	35,274	45,027.2
	V500	197.2	169.3	0	15	12	35,274	35,274	45,430.7
	V550	216.9	177.2	0	15	12	35,274	35,274	46,021.5
	V600	236.6	190.9	0	15	12	35,274	34,634.6	46,422.7
	V650	256.3	201.8	0	15	12	34,612.6	33,642.5	46,788.7
	V700	276	211.6	0	15	12	33,664.6	32,628.4	47,123.8
2-Stage Full Free Lift	VS300	118.5	126	61	10	10	35,274	35,274	43,810.3
	VS330	130.3	131.9	66.9	10	10	35,274	35,274	43,984.4
	VS350	138.2	135.8	70.9	10	10	35,274	35,274	44,127.7
	VS400	157.9	145.7	80.7	10	10	35,274	35,274	44,487.1
	VS450	177.6	155.5	90.6	10	10	35,274	35,274	45,051.5
	VS500	197.2	167.3	100.4	10	10	35,274	35,274	45,488.0
	VS550	216.9	177.2	110.2	10	10	35,274	34,414.2	45,915.7
VS600	236.6	189	120	10	10	35,274	34,370.1	46,491.1	
3-Stage Full Free Lift	TS450	177.8	116.1	59	10	10	35,274	33,267.8	46,178.0
	TS500	197.5	124.7	65.5	10	10	35,274	32,267.8	46,621.2
	TS550	217.1	131.2	72	10	10	34,568.5	32,253.6	46,947.4
	TS600	236.9	139.8	78.7	10	10	33,554.4	31,239.5	47,379.5
	TS650	256.6	146.3	85.3	10	10	32,628.4	30,313.6	47,727.9
	TS700	276.2	154.8	91.9	10	10	31,658.4	29,321.5	48,417.9
	TS750	295.7	161.5	98.5	10	10	30,776.5	28,439.6	48,777.3

160D-9									
Mast Type		Maximum Fork Height	Overall Height (Lowered)	Free Lift Height	Mast Tilt Angle		Load capacity w/o Sideshift		Truck Weight (Unloaded)
					With Load Backrest	Fwd	Bwd	General	
				in	in	in	deg	deg	lb
2-Stage Limited Free Lift	V300*	118.3	118.1	0	15	12	28,660.1	28,660.1	37,458.7
	V330	130.1	124	0	15	12	28,660.1	28,660.1	37,626.3
	V350	138	128	0	15	12	28,660.1	28,660.1	37,736.5
	V400	157.7	139.8	0	15	12	28,660.1	28,660.1	38,292.1
	V450	177.4	149.6	0	15	12	28,660.1	28,660.1	38,567.7
	V500	197.0	161.4	0	15	12	28,660.1	28,660.1	38,898.4
	V550	216.7	171.3	0	15	12	28,660.1	27,756.2	39,405.4
	V600	236.4	183.1	0	15	12	27,800.3	26,918.4	39,740.5
	V650	256.1	192.9	0	15	12	27,006.6	26,102.7	40,033.7
	V700	275.8	202.8	0	15	12	26,235	25,331.1	40,322.5
2-Stage Full Free Lift	VS300	119.2	118.1	60.8	10	10	28,660.1	28,660.1	37,844.6
	VS350	138.9	128	70.7	10	10	28,660.1	28,660.1	38,153.2
	VS400	158.6	137.8	80.5	10	10	28,660.1	28,660.1	38,464.1
	VS450	178.3	147.6	90.4	10	10	28,660.1	28,660.1	38,785.9
	VS500	198	157.5	100.2	10	10	28,660.1	28,153	39,352.5
	VS550	217.6	167.3	110	10	10	27,866.4	27,227.1	39,833.1
3-Stage Full Free Lift	VS600	237.3	181.1	119.9	10	10	26,896.4	26,345.2	40,377.7
	TFS450	178	116.1	61.2	10	10	28,660.1	28,329.4	39,983
	TS500	197.8	122.7	67.9	10	10	28,351.5	27,447.6	40,293.9
	TS550	217.5	129.3	74.4	10	10	27,513.5	26,609.8	40,496.7
	TS600	237.1	139.8	80.9	10	10	26,675.9	25,772	40,816.4
	TS650	256.9	146.4	87.5	10	10	25,904.3	25,000.4	41,019.2
	TS700	276.6	154.9	94	10	10	25,088.6	24,206.8	41,550.5
TS750	296.3	161.5	100.6	10	10	24,383.1	23,501.3	41,753.4	

* Standard

Load Capacity



110/130/160D-9 Series Options

Fork (l x w x h) (in)

110D-9

- 3 x 7.9 x 47.2
- 3 x 7.9 x 70.9
- 3.3 x 7.9 x 96.1
- 3 x 7.9 x 59
- 3 x 7.9 x 82.7
- 3.3 x 7.9 x 102.4

130D-9

- 3.3 x 7.9 x 47.2
- 3.3 x 7.9 x 70.9
- 3.3 x 7.9 x 96.1
- 3.3 x 7.9 x 59
- 3.3 x 7.9 x 82.7
- 3.5 x 7.9 x 102.4

160D-9

- 3.5 x 7.9 x 47.2
- 3.7 x 7.9 x 70.9
- 3.7 x 7.9 x 96.1
- 3.5 x 7.9 x 59
- 3.7 x 7.9 x 82.7
- 3.9 x 7.9 x 102.4

Mast

- Simplex
- Triplex
- Duplex

M.C.V

- 3-Spool
- 5-Spool

Fork Positioner

- ø82
- ø100

Integral Side Shift + Fork Positioner

Separator Holder Type Fork Carriage

Hydraulic Line

- 3-Spool
- 5-Spool
- 4-Spool

Wide Carriage (107.5in)(160D-9)

Air Compressor

Seat

- Heat, Leather
- KAB Air-Suspension Heated Seat

Bluetooth Hands Free

Beacon Lamp (LED)

Air Conditioner & Heater

Load Weight Indicator

Solid Tire

Top Wiper

RMS (Remote Management System)

Rear Wheel Angle Monitoring

Cabin



MONTREAL (Head office)

19151 A, Cruickshank Avenue
Baie-D'Urfé (Québec) H9X 3N9

Phone: 418 694-4223
Toll free: 1 866 421-4223
info@elevex.ca

SAGUENAY

2305, Alexis-Le-Trotteur
St. Jonquière (Québec) G7X 9H8

elevex.ca



**NO ONE
DELIVERS MORE**

 **HD** HYUNDAI
XITESOLUTION | MATERIAL
HANDLING