

16/20BRJ-9

Moving Mast Reach Truck

3,200 - 4,000 lbs. capacities

Electric · Pneumatic Tire

HYUNDAI

MATERIAL HANDLING

NO ONE DELIVERS MORE

MORE PRODUCTIVITY
MORE PROFITABILITY
MORE PERFORMANCE
TO HELP YOU EARN
MORE PROFITS



Get more of what you're looking for: THE BRJ-9 FROM HYUNDAI

Greater operator comfort, superior performance, enhanced safety, simplified servicing—the BRJ-9 is a reach truck built to deliver greater productivity with lower costs. Highly versatile, the BRJ-9 is also highly maneuverable and is engineered to smoothly lift, lower, and carry heavy loads throughout your facilities. The BRJ-9 also offers greater reliability and rugged durability to withstand and excel in even the most demanding applications.

The BRJ-9 is a seated reach truck that offers a combination of proven performance and advanced features all designed to bring out the best in your operators and your operation.



MULTIFUNCTION CLUSTER OPTIMIZES PERFORMANCE

This advanced digital system displays essential operational information in real time. It includes buttons for easy setting of travel speed and most operating speeds to match work conditions. You'll find innovations everywhere:

- Onboard diagnostics, data logging, safety features, and maintenance tracking keep your operators and technicians fully informed
- Speed, direction, and operating hours are clearly shown
- Choose from High, Normal, Economic, and Turtle modes

ERGONOMIC FINGERTIP HYDRAULIC CONTROL

The convenient control levers deliver precise raising and lowering of the platform with minimal effort and offer control of the travel function and horn with just one hand. It's a system engineered for superior handling with less effort:

- The BRJ-9 offers a tight turning radius to navigate narrow aisles and maximize your space utilization
- To move loads over uneven or sloped surfaces, the BRJ offers excellent gradeability with fast travel speeds
- Optimized cylinder arrangement assures excellent visibility



FAST, EASY MAINTENANCE

The BRJ-9 minimizes downtime with simplified maintenance including a side battery removal assembly that makes replacing a battery quick and easy. Other features include greater access to key maintenance points, an easily accessible and compact fuse box, and a hinged hood that provides ready access to the controller, AC motor, and other key components.



MAXIMUM OPERATOR COMFORT

The spacious cab is designed to maximize operator efficiency and reduce stress and fatigue during long shifts. It includes a fully adjustable suspension seat for all-day comfort. There is also a non-slip floor mat that dampens vibration and a balanced brake pedal design for smooth braking. Other amenities include cushioned headrest, cupholder, and generous storage.



TIGHT TURNING RADIUS

The BRJ-9 features a compact profile allowing it to achieve a tight turning radius allowing operators to efficiently and easily navigate even the tightest aisles and narrowest spaces. To help you move more loads more quickly over uneven or sloped surfaces, it also offers an outstanding gradeability range from 11-13% with a max speed of 8.7 mph.



ERGONOMIC STEER HANDLE

The steer handle is coupled with a power steering system that provides smooth, precise steering for greater maneuverability.



STRONG OVERHEAD GUARD

The durable guard meets ISO 6055 and ANSI regulations to help safeguard operators working in tough or hazardous environments.

The BRJ-9 brings you even more advantages.

- Hill assist control prevents the machine from rolling back after coming to a stop on inclines or declines
- Efficient, optimized AC drive and pump motors ensure greater reliability with low noise levels
- Curve control reduces the risk of the operator exceeding the safe speed of the forklift while negotiating turns
- Electromagnetic load wheel brake provides enhanced brake torque and stability
- Optional load weight indicator includes an audible and visual alarm should the load exceed the rated capacity of the forklift
- High-tech ZAPI controller delivers smooth, quiet operation, with protection for low and high voltage and overheating
- Automatic center position returns the drive wheel to the center position when starting up the unit
- Optional fork camera with an LCD monitor can be installed to improve safety when working with tall racks
- Optional auto fork leveling system helps protect loads and improves productivity

ONLY HYUNDAI OFFERS YOU SUCH A COMPREHENSIVE, FULLY INTEGRATED TELEMATICS SYSTEM.

HiMATE



Hi-Mate works by collecting key data from sensors mounted to your equipment that track operation of the forklift, relaying that information to your computer or mobile device in real time. By monitoring key components, such as the engine, electric system, and hydraulics, Hi-Mate can help you evaluate machine and operator performance, create preventive maintenance programs, and help you minimize downtime as you maximize productivity.



Equipment operation management

Real-time monitoring and follow-up management of individual pieces of equipment or equipment fleet deliver essential operational status and information, including:

- Key-on time, travel hours, work hours, and GPS location



Equipment status management

Vital diagnostic and maintenance data is relayed as alerts, while Hi-Mate Premium provides tracking of pre-shift checklists to help reduce downtime and ensure OSHA compliance:

- Alerts are sent for DTCS, system warning, and required maintenance



Safe traveling control

An impact monitor provides alerts, accountability, and follow-up management of safety incidents involving equipment during operation:

- The system logs the number and severity of impacts as well as the operator who was logged into the unit at the time of the incident



Human resource management

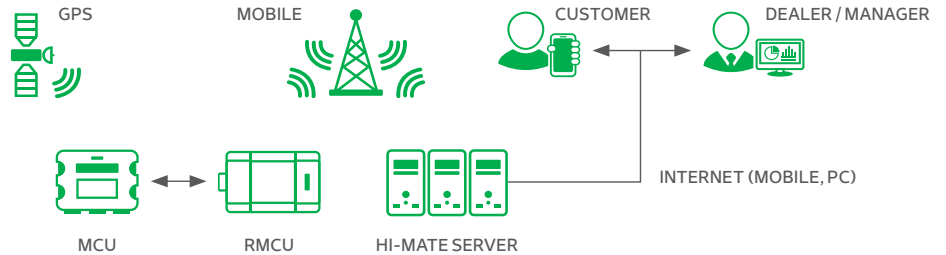
Hi-Mate Premium can control who operates equipment via a pin pad and RFID reader:

- Provided information can be used to evaluate productivity, efficiency, and workforce safety
- Tracking the weight load indicator captures operator productivity

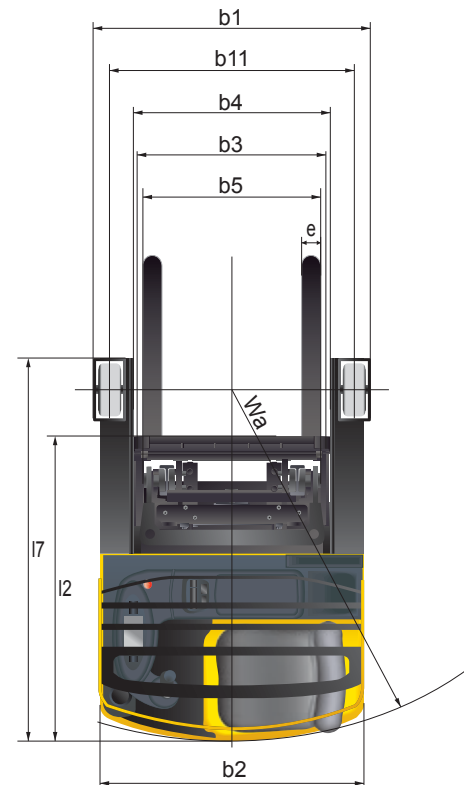
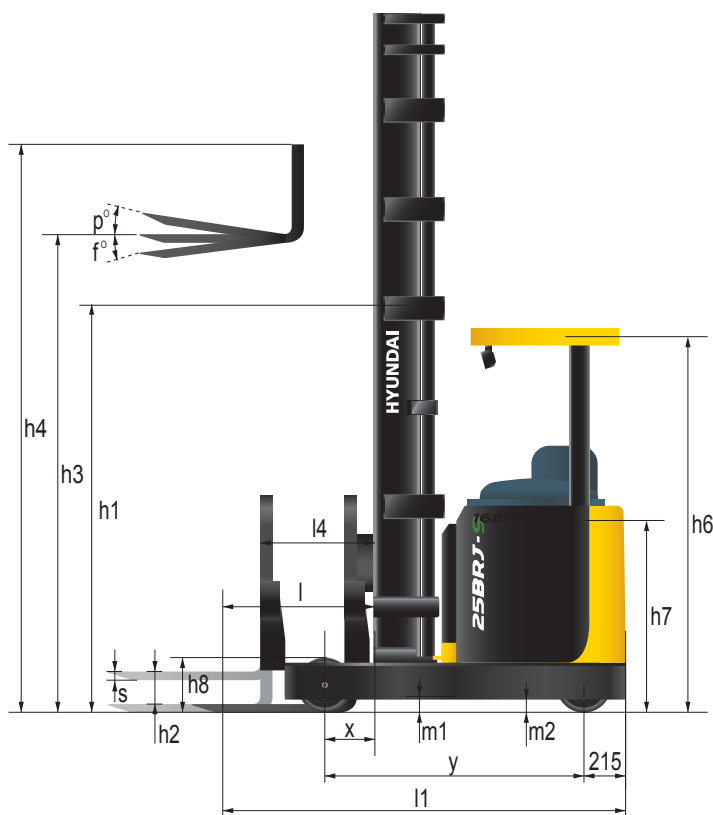
HI-MATE MANAGEMENT SYSTEM

Hi-Mate is one of the industry's most advanced remote management system. With continuous data collection, Hi-Mate delivers more communication, control, and ability to track, monitor, maintain, and manage your forklift fleet. It is the proven way to efficiently coordinate both your equipment and human resources.

Data Flow



Dimensions



Specifications

| Identification | | | | | |
|------------------|---|-----------|--------|------------------|------------------|
| 1.1 | Manufacturer | | | | |
| 1.2 | Model: Manufacturer's Designation | | | 16BRJ-9 | 20BRJ-9 |
| 1.3 | Power supply: electric, diesel, gas, LPG, manual | | | Electric | Electric |
| 1.4 | Load Capacity / Rated Load | | lb | 3,500 | 3,800 |
| 1.5 | Load Center Distance | Q | in | 24 | 24 |
| 1.6 | Load Distance, Center of Drive Axle (loadwheel) to Fork | c | in | 14.3 | 13.4 |
| 1.8 | Operator Type | x | | Seated | Seated |
| 1.9 | Wheelbase | y | | 57.5 | 59.8 |
| Weights | | | | | |
| 2.1 | Service weight (including battery) | | lb | 7,185 | 8,375 |
| 2.3 | Axle loading, reach in, unloaded front (drive)/rear (load) | | lb | 4,442 / 2,743 | 4,954 / 3,421 |
| 2.4 | Axle loading, reach out, loaded front (drive)/rear (load) | | lb | 1,345 / 9,367 | 1,391 / 11,394 |
| 2.5 | Axle loading, reach in, loaded front (drive)/rear (load) | | lb | 3,871 / 6,841 | 4,200 / 8,587 |
| Wheels, Chassis | | | | | |
| 3.1 | Tires (solid rubber, superelastic, pneumatic, polyurethane) | | in | PE | PE |
| 3.2 | Tire size, front | | in | 12 x 5.5 | 13.6 x 5.5 |
| 3.3 | Tire size, rear | | in | 11.2 x 3.9 | 14 x 4.2 |
| 3.5 | Wheels, numbers (x=driven wheels), front(drive)/rear(load) | | in | 1 x / 2 | 1 x / 2 |
| 3.6 | Track width, front (drive) | b10 | in | 0 | 0 |
| 3.7 | Track width, rear (load) | b11 | in | 45.2 | 45.5 |
| Basic Dimensions | | | | | |
| 4.1 | Mast / fork carriage tilt forward / backward | | deg | 2 / 5 | 2 / 5 |
| 4.2 | Lowered mast height | h1 | in | 92.4 | 93.9 |
| 4.3 | Free lift (without backrest) | h2 | in | 1761 | 1717 |
| 4.4 | Lift height | h3 | in | 208.9 | 208.9 |
| 4.5 | Extended mast height (without backrest) | h4 | in | 228.8 | 235.2 |
| 4.7 | Overhead load guard (cab) height | h6 | in | 83.3 | 84 |
| 4.8 | Seat height / standing height | h7 | in | 36.3 | 37.1 |
| 4.10 | Height of wheel arms | h8 | in | 11.9 | 14.7 |
| 4.19 | Overall length (reach in, fork end) | l1 | in | 98.9 | 102.2 |
| 4.20 | Length to face of forks (reach in) | l2 | in | 51.6 | 54.9 |
| 4.21 | Overall width | b1 / b2 | in | 50.4 / 50 | 50.8 / 50 |
| 4.22 | Fork dimensions (hook type) | L x W x H | in | 47.2 x 3.9 x 1.6 | 47.2 x 3.9 x 1.6 |
| 4.23 | Fork carriage ISO 2328, class / type A, B | | | 2A | 2B |
| 4.24 | Fork-carriage width | b3 | in | 31.5 | 31.5 |
| 4.25 | Overall fork width | b5 | in | 28.8 | 28.8 |
| 4.26 | Distance between support arms | b4 | in | 37.5 | 37.5v |
| 4.28 | Reach stroke | l4 | in | 21.8 | 21.4 |
| 4.31 | Ground clearance, loaded, under mast | m1 | in | 3.6 | 4.3 |
| 4.32 | Ground clearance, center of wheelbase | m2 | in | 2.3 | 2.8 |
| 4.33 | Aisle width for pallets 1000 x 1200 crossways | Ast | in | 108.7 | 111.6 |
| 4.34 | Aisle width for pallets 800 x 1200 lengthways | Ast | in | 2812 | 2890 |
| 4.35 | Turning radius | Wa | in | 66.3 | 68.6 |
| 4.37 | Length across wheel arms | l7 | in | 73.2 | 76.1 |
| Performance | | | | | |
| 5.1 | Travel speed, unloaded | | mph | 14 | 14 |
| 5.2 | Lift speed, loaded / unloaded | | ft/min | 0.37 / 0.58 | 0.3 / 0.47 |
| 5.3 | Lowering speed, loaded / unloaded | | ft/min | 0.5 / 0.45 | 0.5 / 0.45 |
| 5.6 | Max. drawbar pull, loaded / unloaded S2 5min | | lb | 570 / 600 | 710 / 750 |
| 5.8 | Max. gradient performance, loaded / unloaded S2 5min | | % | 12 / 18 | 12 / 19 |
| 5.10 | Service brake | | | Electric | Electric |
| E-Motor | | | | | |
| 6.1 | Drive motor rating S2 60min | | hp | 10 | 10 |
| 6.2 | Lift motor rating at S2 5min | | hp | 19 | 19 |
| 6.3 | Battery acc. to DIN 43531 / 35 / 36 A, B, C, no | | | DIN43531 | DIN43531 |
| 6.4 | Battery voltage, nominal capacity K5 | | V / Ah | 48 / 420 | 48 / 560 |
| 6.5 | Battery weight (min) | | lb | 1,653.5 | 2,072.4 |
| | Battery dimensions | L x W x H | in | 48.5 x 11.1 x 31 | 48.5 x 11.1 x 31 |
| Additional Data | | | | | |
| 8.1 | Type of drive control | | | AC Mosfet | AC Mosfet |
| 8.2 | Operating pressure for attachments | | bar | 170 | 170 |
| 8.3 | Oil volume for attachments | | gpm | 6.6 | 6.6 |
| 8.4 | Sound level at driver's ear according to DIN 12 053 | | db | 70 | 70 |

16BRJ-9

| Mast Type | | Maximum Fork Height | Overall Height (Lowered) | Overall Height Lifted | | Tilt Angle Fwd/Rev | | Tilt Angle Fwd / Bwd | | Truck weight Unloaded | | | |
|------------------------|--------|---------------------|--------------------------|-----------------------|-------------------|--------------------|-------------------|----------------------|-----|-----------------------|-----|---------|-----|
| | | | | w/Load Backrest | w/o Load Backrest | w/Load Backrest | w/o Load Backrest | Fwd | Bwd | | | | |
| | | | | 16BRJ-9 | | | | | | | | 16BRJ-9 | |
| | | | | in | in | in | in | in | in | | deg | deg | lbs |
| 3-Stage Full Free Lift | TF430 | 107.9 | 79.1 | 244.4 | 190.8 | 38.5 | 56.0 | 2 | 5 | 6,991 | | | |
| | TF470 | 186.6 | 85.0 | 227.2 | 206.5 | 44.4 | 61.9 | 2 | 5 | 7,083 | | | |
| | *TF530 | 208.9 | 92.4 | 249.4 | 228.8 | 51.9 | 69.3 | 2 | 5 | 7,185 | | | |
| | TF550 | 218.1 | 96.8 | 258.7 | 238.0 | 56.3 | 73.7 | 2 | 5 | 7,273 | | | |
| | TF600 | 237.8 | 104.7 | 278.3 | 257.7 | 64.1 | 81.6 | 2 | 5 | 7,401 | | | |
| | TF650 | 257.5 | 112.6 | 298.0 | 277.4 | 72.0 | 89.4 | 2 | 5 | 7,811 | | | |
| | TF700 | 275.8 | 118.7 | 316.4 | 295.7 | 78.1 | 95.5 | 2 | 5 | 7,875 | | | |
| | TF750 | 295.5 | 122.3 | 336.1 | 315.4 | 81.7 | 99.2 | 2 | 5 | 7,932 | | | |
| | TF800 | 315.2 | 130.2 | 355.7 | 335.1 | 89.6 | 107.0 | 2 | 5 | 8,069 | | | |
| | TF850 | 334.9 | 136.7 | 375.4 | 354.8 | 96.2 | 113.6 | 2 | 5 | 8,265 | | | |
| | TF900 | 354.6 | 143.3 | 395.1 | 374.5 | 102.8 | 120.2 | 2 | 5 | 8,377 | | | |
| | TF950 | 374.3 | 149.9 | 414.8 | 394.2 | 109.3 | 126.8 | 2 | 5 | 8,490 | | | |
| | TF1000 | 393.9 | 157.8 | 434.5 | 413.9 | 117.2 | 134.6 | 2 | 5 | 8,680 | | | |
| | TF1050 | 413.6 | 164.3 | 454.2 | 433.5 | 123.8 | 141.2 | 2 | 5 | 8,792 | | | |

* Standard

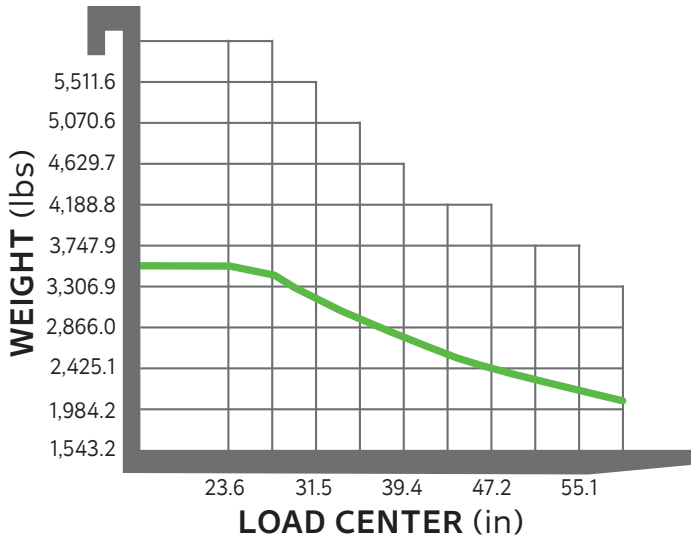
20BRJ-9

| Mast Type | | Maximum Fork Height | Overall Height (Lowered) | Overall Height Lifted | | Tilt Angle Fwd/Rev | | Tilt Angle Fwd / Bwd | | Truck weight Unloaded | | | |
|------------------------|--------|---------------------|--------------------------|-----------------------|-------------------|--------------------|-------------------|----------------------|--------|-----------------------|-----|---------|-----|
| | | | | w/Load Backrest | w/o Load Backrest | w/Load Backrest | w/o Load Backrest | Fwd | Bwd | | | | |
| | | | | 20BRJ-9 | | | | | | | | 20BRJ-9 | |
| | | | | in | in | in | in | in | in | | deg | deg | lbs |
| 3-Stage Full Free Lift | TF430 | 169.5 | 80.2 | 212.8 | 195.8 | 36.8 | 53.8 | 2 | 5 | 8,190 | | | |
| | TF470 | 185.2 | 86.1 | 228.6 | 211.6 | 42.7 | 59.7 | 2 | 5 | 8,280 | | | |
| | *TF530 | 208.9 | 93.9 | 252.2 | 235.2 | 50.6 | 67.9 | 2 | 5 | 8,375 | | | |
| | TF550 | 224.6 | 99.2 | 268.0 | 250.9 | 55.8 | 72.8 | 2 | 5 | 8,472 | | | |
| | TF600 | 248.2 | 108.0 | 291.6 | 274.6 | 64.7 | 81.7 | 2 | 5 | 8,607 | | | |
| | TF650 | 264.0 | 113.3 | 307.3 | 290.3 | 69.9 | 86.9 | 2 | 5 | 9,039 | | | |
| | TF700 | 275.8 | 117.2 | 319.1 | 302.1 | 73.9 | 90.9 | 2 | 5 | 9,112 | | | |
| | TF750 | 295.5 | 123.8 | 338.8 | 321.8 | 80.4 | 97.4 | 2 | 5 | 9,233 | | | |
| | TF800 | 315.2 | 131.3 | 358.5 | 341.5 | 88.0 | 105.0 | 2 | 5 | 9,372 | | | |
| | TF850 | 334.9 | 137.9 | 378.3 | 361.3 | 94.6 | 111.6 | 2 | 5 | 9,594 | | | |
| | TF900 | 354.6 | 144.5 | 398.0 | 380.9 | 101.1 | 118.1 | 2 | 5 | 9,716 | | | |
| | TF950 | 374.4 | 151.1 | 417.7 | 400.7 | 107.7 | 124.7 | 2 | 5 | 9,839 | | | |
| | TF1000 | 394.0 | 158.6 | 437.3 | 420.3 | 115.3 | 132.3 | 2 | 5 | 9,978 | | | |
| | TF1050 | 413.7 | 165.2 | 457.0 | 440.0 | 121.9 | 138.9 | 2 | 5 | 10,203 | | | |
| | TF1100 | 433.3 | 171.8 | 476.7 | 459.7 | 128.4 | 145.4 | 2 | 5 | 10,318 | | | |
| | TF1150 | 453.0 | 179.3 | 496.4 | 479.4 | 136.0 | 153.0 | 2 | 5 | 10,456 | | | |
| TF1200 | 472.7 | 185.9 | 516.1 | 499.1 | 142.6 | 159.6 | 2 | 5 | 10,578 | | | | |

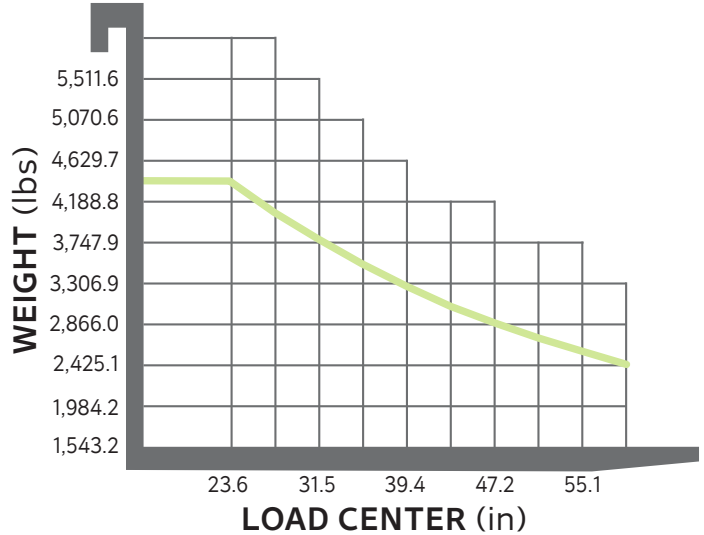
* Standard

Load Capacity

16BRJ-9



20BRJ-9



Battery Weight

| MODEL | MAST | BATTERY WEIGHT |
|---------|-------|----------------|
| 16BRJ-9 | TF530 | 1,653.5 lbs |
| 20BRJ-9 | TF530 | 2,072.3 lbs |



16/20BRJ-9 COMES WITH OUR BEST-IN-CLASS WARRANTY

When you build better equipment, you can back them better. That's why Hyundai forklifts come with a 3-year, 4,000-hour warranty that sets a new standard for overall lowest cost of ownership.

Options

Sideshift — Max 5.5 in

Fork Length (in)

| 14/16BRJ-9 | 20/25BRJ-9 |
|------------|------------|
| · 35.4 | · 39.4 |
| · 37.4 | · 41.3 |
| · 39.4 | · 47.2 |
| · 41.3 | · 53.1 |
| · 45.3 | · 59.1 |
| · 47.2 | · 65.0 |
| · 53.1 | · 70.9 |
| · 59.1 | |
| · 63.0 | |

Fork Height Indicator and Preselector

Auto Tilt Leveling

Load Indicator

Tire

- Urethane (STD)
- Vulkollan (OPT)

Battery Charger

- 3 phases: 220 / 380V, 410V, 440V

Joystick Lever

Seat:

- Fabric (STD),
- PVC (OPT)

Cold Storage Conditioning

UL

- ESRating

Beacon Lamp (LED / Bulb)

- Amber
- Blue
- Red

Work Lamp (LED)

Rear Lamp (LED / Bulb)

Fork Camera, Carriage Camera

Safety Speed Lock



MONTREAL (Head office)

19151 A, Cruickshank Avenue
Baie-D'Urfé (Québec) H9X 3N9

Phone: 418 694-4223
Toll free: 1 866 421-4223
info@elevex.ca

SAGUENAY

2305, Alexis-Le-Trotteur
St. Jonquière (Québec) G7X 9H8

elevex.ca



**NO ONE
DELIVERS MORE**

 **HD** HYUNDAI
XITESOLUTION | MATERIAL
HANDLING