



# INTERNAL COMBUSTION ENGINE COUNTERBALANCE H20 - H35

**4,500 - 7,000 lb. Capacity**

Series 1202

- Hydrostatic drive, dual pedal control and Linde Load Control enable efficient load handling
- Robust construction and maintenance-free components guarantee high truck availability
- Slant mast profiles, narrow A-pillar, lowered front plate and see-through roof ensure outstanding visibility
- Wireless truck data transmission assists with fleet management programs
- The low center of gravity and intelligent assistance systems reduce the risk of tipping and loading accidents

# STANDARD & OPTIONAL EQUIPMENT

## STANDARD

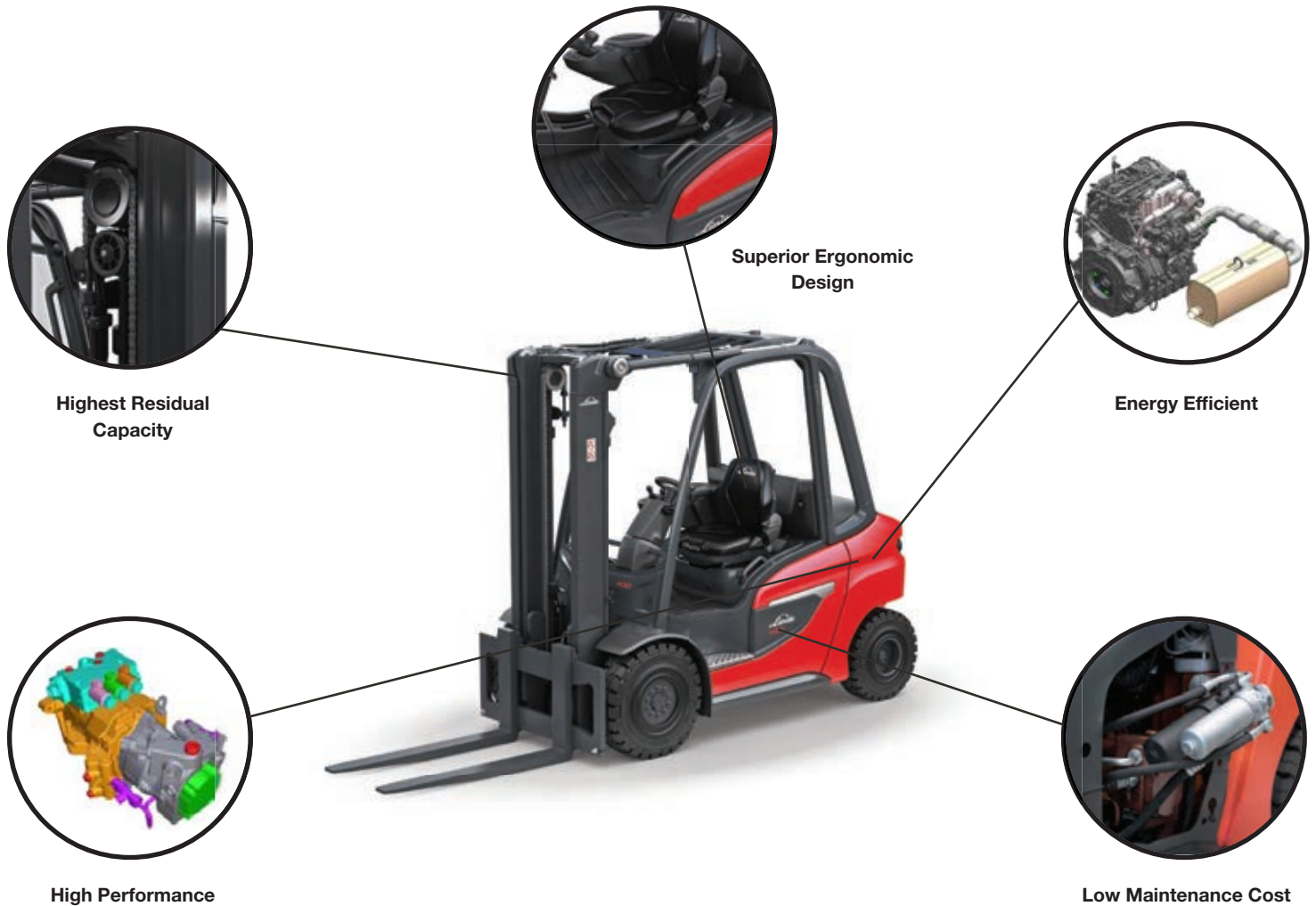
- Floating cab
- Tilttable steering column
- Full suspension, weight adjustable seat
- 3.5" color display
- Linde Hydrostatic Drive
- Deutz Diesel Engine or Deutz LP Engine
- LEPS, Linde Engine Protection System
- Variable displacement hydraulic pump
- Solid pneumatic tires (SE)
- High mounted tilt cylinders
- Slanted mast rails
- Tilt cylinders with cushioned end stops
- 6-roller carriages
- Dual pedal travel control
- Automatic parking brake (when engine is off)
- Standard tilt range 5° forward/5° backward
- 89.6" standard OHG with H20/600 and H25
- 91.4" standard OHG with H25/600, H30 and H35
- Two front work lights (LED or halogen)
- 48 month / 8,000 hour warranty

## OPTIONAL

- Large variety of tires
- Anti load-spray mud flaps
- Several travel speed reductions
- Tilt angle pre-selection
- Fork above ground stop
- Simple, dual, and triplex masts
- 8-roller carriages
- Integrated side shifter
- Integrated sideshifting fork positioner
- Load backrest
- Lowered overhead guard
- Fully enclosed operator cabin with standard top glass
- Fully enclosed operator cabin with armored top glass
- Configurable half cab
- Large variety of upgraded seats; heated, cloth, and ventilated
- Swiveling seats, 10 & 17 degrees
- Seat belt interlock
- Air-conditioned or heated cabin
- Internal and external mirrors
- Main hydraulic valve with up to five functions
- Auxiliary function hydraulic hose reeving
- Halogen or LED road light packages
- Front and rear LED stripe lights
- Linde BlueSpot™
- Load weight indicator
- Back-up alarm
- Flashing beacon
- High exhaust routing
- High mounted air intake
- Single pedal travel control



# FEATURES



## Linde Series 1202 Five Features

### Lowest Maintenance Cost:

- 1000 hour periodic maintenance
- No service brake maintenance or repair
- Neoprene tilt cylinder and axle bearings

### Highest Residual Capacity:

- High rigidity mast rails
- Low center of gravity
- Best weight distribution
- Overhead tilt cylinders

### Superior Ergonomic Design:

- Low noise level
- Large foot room
- Standard armrest with fingertip controls
- Standard fully adjustable suspension seat

### Energy Efficient:

- Low average engine RPM
- Engine RPM is automatic, and demand controlled
- Hydrostatic drive system with axial piston technology

### High Performance:

- Hydrostatic drive system
- Standard dual pedal travel control
- Automatic acceleration and deceleration

# H20 - H35 TECHNICAL DATA

August 2020

					LINDE		LINDE		
					H20/600D and H20/600T		H25D and H25T		
Characteristics	1.1	Manufacturer							
	1.2	Model designation							
	1.3	Power unit			Diesel / LP		Diesel / LP		
	1.4	Operation			Seated		Seated		
	1.5	Rated capacity	Q	lb	kg	4500	2000	5000	2500
	1.6	Load center distance	c	in	mm	24	600	24	500
	1.8	Load distance, center of drive axle to fork	x	in	mm	16.3	416	16.3	416
	1.9	Wheelbase	y	in	mm	73.4	1865	75	1905
	Weights	2.1	Service weight		lb	kg	8240	3738	8637
2.2.1		Axle loading laden, front		lb	kg	10837	4916	12257	5560
2.2.2		Axle loading laden, rear		lb	kg	1812	822	1891	858
2.3.1		Axle loading empty, front		lb	kg	4025	1826	4093	1857
2.3.2		Axle loading empty, rear		lb	kg	4215	1912	4543	2061
Wheels/Tires	3.1	Tire type			SE, Solid Pneumatic		SE, Solid Pneumatic		
	3.2	Tire size, front			225/75-10 (23x9-10)		225/75-10 (23x9-10)		
	3.3	Tire size, rear			6.50-10		6.50-10		
	3.6	Track width front	b <sub>10</sub>	in	mm	38.2	972	38.2	972
	3.6	Track width, rear	b <sub>11</sub>	in	mm	37.8	961	37.8	961
Dimensions	4.1	Mast tilt, forward/backward	$\alpha / \beta$	Degrees	Degrees	5°/5°		5°/5°	
	4.7	Cab height	h <sub>6</sub>	in	mm	89.5	2275	89.5	2275
	4.8	Seat height	h <sub>7</sub>	in	mm	42.2	1074	42.2	1074
	4.12	Tow pin height	h <sub>10</sub>	in	mm	24.4	621	24.4	621
	4.19	Overall length	l <sub>1</sub>	in	mm	144	3659	144	3699
	4.20	Length to fork face	l <sub>2</sub>	in	mm	104.6	2659	106.2	2699
	4.21	Overall width	b <sub>1</sub> b <sub>2</sub>	in	mm	46.4	1180	46.4	1180
	4.23	Type carriage				ITA Class 2		ITA Class 2	
	4.24	Carriage width	b <sub>3</sub>	in	mm	45.2	1150	45.2	1150
	4.31	Ground clearance mast	m <sub>1</sub>	in	mm	4.7	121	4.7	121
	4.32	Ground clearance chassis	m <sub>2</sub>	in	mm	5.1	130	5.1	130
	4.33	Aisle width (48" load, 8" clearance)	A <sub>st</sub>	in	mm	157.8	4010	159.5	1052
	4.34	Aisle width (add load, add clearance)	A <sub>st</sub>	in	mm	109.8	2789	111.4	2831
	4.35	Outer turning radius	W <sub>a</sub>	in	mm	93.4	2373	95.1	2415
Performance	5.1	Travel speed laden		mph	km/h	13.6	22	13.6	22
	5.1.1	Travel speed empty		mph	km/h	13.6	22	13.6	22
	5.2	Lift speed laden		fpm	km/h	104	.053	104	0.53
	5.2.1	Lift speed empty		fpm	km/h	108	0.55	108	0.55
	5.3	Lowering speed laden		fpm	m/s	110	0.56	110	0.56
	5.3.1	Lowering speed empty		fpm	m/s	110	0.56	110	0.56
	5.6	Max. drawbar pull laden		lbf	N	3272	14558	3242	14425
	5.6.1	Max. drawbar pull empty		lbf	N	3271	14575	3276	14575
	5.8	Max. gradeability laden			%	28		24	
	5.8.1	Max. gradeability empty			%	34		31	
5.10	Service brake				Hydrostatic		Hydrostatic		
Drive	7.1	Engine manufacturer / type	Diesel / LP		Deutz Diesel / LP		Deutz Diesel / LP		
	7.2	Engine power rating		hp	kW	40 / 30	48 / 36	40 / 30	48 / 36
	7.3	Engine speed		rpm		2300		2300	
	7.4	Cylinders / Volume			cc	3 / 133.8	3 / 2194	3 / 133.8	3 / 2194
Other	8.1	Transmission system				Hydrostatic		Hydrostatic	
	8.2	Max hydraulic operating pressure		psi	bar	2900	200	3335	230
	8.3	Max. hydraulic oil flow		GPM	LPM	13.2	50	13.2	50
	8.4	Noise level		dB(A)		79		79	

NOTICE: Products are subject to change without notice. Our products are continuously being improved, all conditions, terms, and specifications are subject to change at any time.

# H20 - H35 TECHNICAL DATA

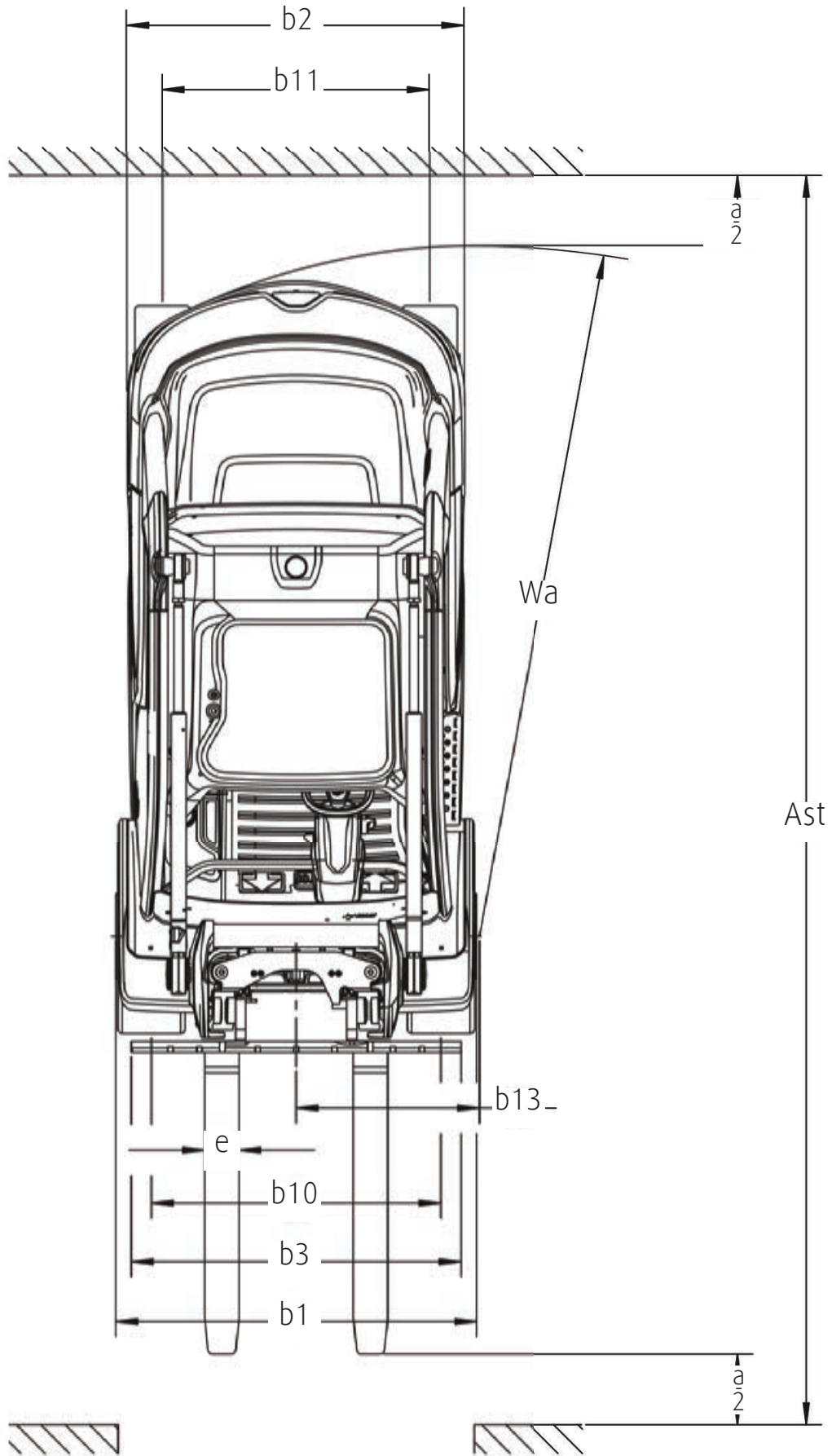
August 2020

Characteristics	1.1				LINDE		LINDE		LINDE		
	1.2				H25/600D and H25/600T		H30D and H30T		H35D and H35T		
	1.3				Diesel L/P		Diesel L/P		Diesel L/P		
	1.4				Seated		Seated		Seated		
	1.5	Q	lb	kg	5500	2500	6000	3000	7000	3500	
	1.6	c	in	mm	24	600	24	500	24	500	
	1.8	x	in	mm	17.9	455	17.6	448	17.8	453	
	1.9	y	in	mm	75	1905	75.9	1930	77.3	1965	
	Weights	2.1		lb	kg	9876	4480	10218	4635	9303	4978
2.2.1			lb	kg	13229	6001	14676	6657	16505	7487	
2.2.2			lb	kg	2158	979	2156	978	2184	991	
2.3.1			lb	kg	4664	2116	4812	2183	5046	2289	
2.3.2			lb	kg	5218	2367	5405	2452	5928	2689	
Wheels/Tires	3.1				SE, Solid Pneumatic		SE, Solid Pneumatic		SE, Solid Pneumatic		
	3.2				250/75-12		250/75-12		250/75-12		
	3.3				225/75-10 (23x9-10)		225/75-10 (23x9-10)		225/75-10 (23x9-10)		
	3.6	b <sub>10</sub>	in	mm	39.6	1008	39.6	1008	39.6	1008	
	3.6	b <sub>11</sub>	in	mm	37.8	961	37.8	961	37.8	961	
Dimensions	4.1	α / β	Degrees	Degrees	5°/5°		5°/5°		5°/5°		
	4.7	h <sub>6</sub>	in	mm	91.4	2322	91.4	2322	91.4	2322	
	4.8	h <sub>7</sub>	in	mm	44	1119	44	1119	44	1119	
	4.12	h <sub>10</sub>	in	mm	25.3	643	25.3	643	25.3	643	
	4.19	l <sub>1</sub>	in	mm	147.1	3738	147.8	3756	149.4	3796	
	4.20	l <sub>2</sub>	in	mm	107.7	2738	108.5	2756	110	2796	
	4.21	b <sub>1</sub> b <sub>2</sub>	in	mm	49.4	1256	49.4	1256	49.4	1256	
	4.23				ITA Class 2		ITA Class 3		ITA Class 3		
	4.24	b <sub>3</sub>	in	mm	45.2	1150	45.2	1150	45.2	1150	
	4.31	m <sub>1</sub>	in	mm	4.8	124	4.8	123	4.7	121	
	4.32	m <sub>2</sub>	in	mm	6.9	177	6.9	176	6.9	175	
	4.33	A <sub>st</sub>	in	mm	161.1	4091	161.8	4110	163.4	4152	
	4.34	A <sub>st</sub>	in	mm	112.9	2870	113.7	2889	115.3	2931	
4.35	W <sub>a</sub>	in	mm	95.1	2415	96.1	2441	97.5	2478		
Performance	5.1		mph	km/h	13.6	22	13.6	22	13.6	22	
	5.1.1		mph	km/h	13.6	22	13.6	22	13.6	22	
	5.2		fpm	km/h	104	0.53	104	0.53	104	0.45	
	5.2.1		fpm	km/h	108	0.56	108	0.56	108	0.56	
	5.3		fpm	m/s	110	0.56	110	0.56	110	0.56	
	5.3.1		fpm	m/s	110	0.56	110	0.56	110	0.56	
	5.6		lbf	N	4434	19727	4405	19598	4368	19433	
	5.6.1		lbf	N	3701	16364	3796	16886	3983	17721	
	5.8			%	32		27		27		
	5.8.1			%	33		30		30		
5.10				Hydrostatic		Hydrostatic		Hydrostatic			
Drive	7.1	Diesel / LP			Deutz Diesel / LP		Deutz Diesel / LP		Deutz Diesel / LP		
	7.2		hp	kW	60 / 45	53 / 40	60 / 45	53 / 40	60 / 45	53 / 40	
	7.3		rpm			2300		2300		2300	
	7.4			cc	3 / 133.8	3 / 2194	3 / 133.8	3 / 2194	3 / 133.8	3 / 2194	
Other	8.1				Hydrostatic		Hydrostatic		Hydrostatic		
	8.2		psi	bar	2900	200	3263	225	3553	245	
	8.3		GPM	LPM	13.2	50	13.2	50	13.2	50	
	8.4		dB(A)			79		79		79	

NOTICE: Products are subject to change without notice. Our products are continuously being improved, all conditions, terms, and specifications are subject to change at any time.

# H20 - H35 TECHNICAL DATA

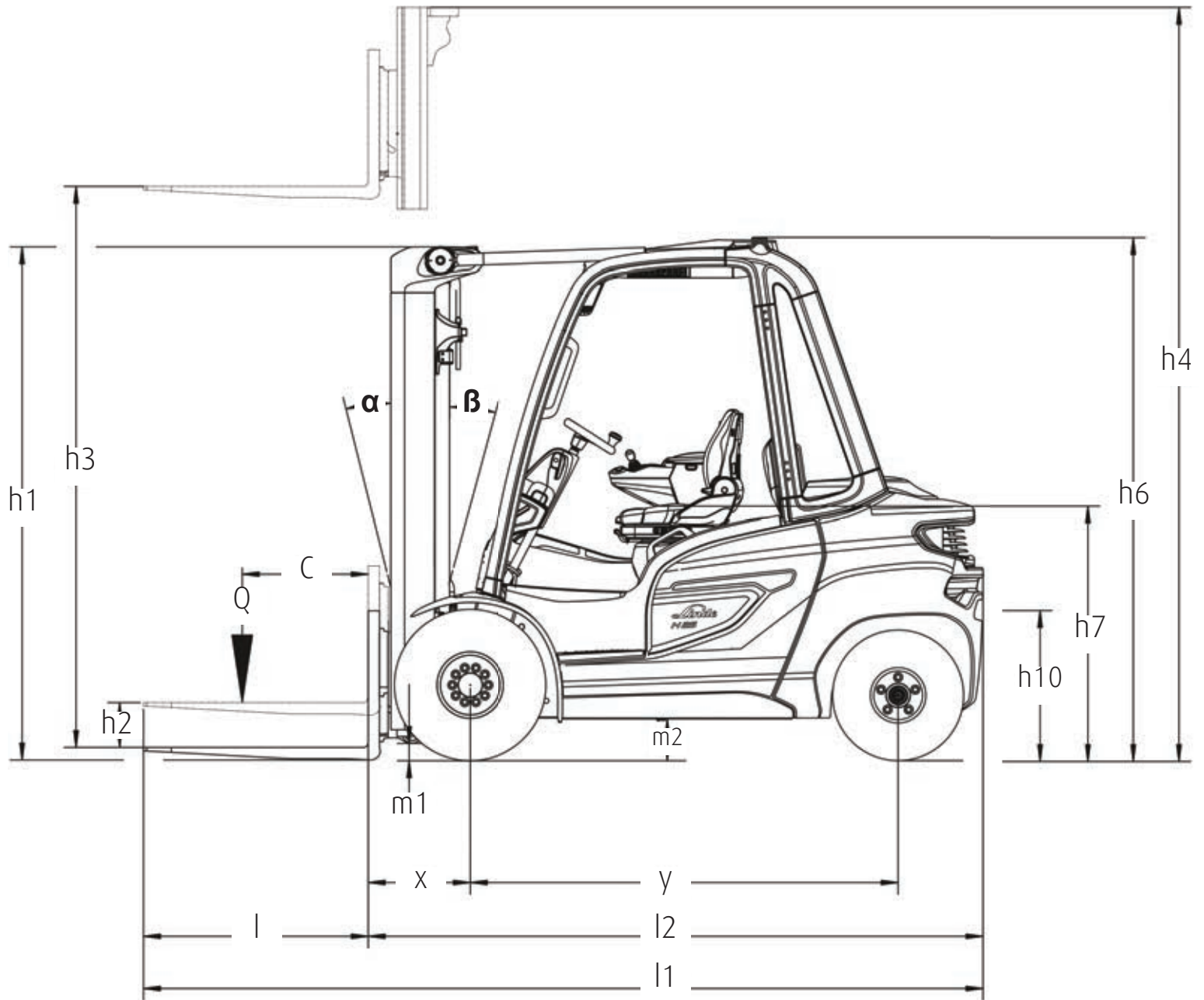
August 2020



\*Refer to Technical Data Chart

# H20 - H35 TECHNICAL DATA

August 2020



\*Refer to Technical Data Chart

# H20 - H35 CAPACITY RATINGS

August 2020

<b>H20/600D and H20/600T</b>								
1.75"x4"x42" Forks SE 23/9-10 Cascade 55F-SSS hang-on sideshifter Capacity (lb) at 24" load center								
h1 (in)	h3 (in)	h2 (in)	Type	Std. Carriage	Integrated SS Carriage	Integral SSFP Carriage	Integral SSFP "View" Carriage	Hang-on Sideshifter
90.0	127.2	0.0	Simplex	4500	4425	4400	4125	4350
94.0	135.0	0.0	Simplex	4500	4425	4400	4125	4350
105.8	158.7	0.0	Simplex	4500	4425	4400	4125	4350
86.0	126.0	58.8	Duplex	4500	4425	4400	4125	4350
89.9	133.9	62.8	Duplex	4500	4425	4400	4125	4350
103.7	161.4	76.5	Duplex	4500	4425	4400	4125	4350
86.0	187.4	58.8	Triplex	4500	4425	4350	4125	4325
88.0	193.3	60.8	Triplex	4500	4425	4350	4125	4325
89.9	199.2	62.8	Triplex	4500	4425	4350	4125	4325
97.8	218.9	70.6	Triplex	4500	4425	4350	4125	4325
103.7	236.6	76.5	Triplex	3800	3725	3625	3450	3625

<b>H25D and H25T</b>								
1.75"x4"x42" Forks SE 23/9-10 Cascade 55F-SSS hang-on sideshifter Capacity (lb) at 24" load center								
h1 (in)	h3 (in)	h2 (in)	Type	Std. Carriage	Integrated SS Carriage	Integral SSFP Carriage	Integral SSFP "View" Carriage	Hang-on Sideshifter
90.0	127.2	0.0	Simplex	5000	4975	4950	4625	4850
94.0	135.0	0.0	Simplex	5000	4975	4950	4625	4850
105.8	158.7	0.0	Simplex	5000	4975	4950	4625	4850
86.0	126.0	58.8	Duplex	5000	4975	4950	4625	4850
89.9	133.9	62.8	Duplex	5000	4975	4950	4625	4850
103.7	161.4	76.5	Duplex	5000	4975	4950	4625	4850
86.0	187.4	58.8	Triplex	5000	4975	4950	4625	4850
88.0	193.3	60.8	Triplex	5000	4975	4950	4625	4850
89.9	199.2	62.8	Triplex	5000	4950	4925	4600	4850
97.8	218.9	70.6	Triplex	4275	4075	4050	3775	4000
103.7	236.6	76.5	Triplex	3575	3400	3375	3125	3325

<b>H25/600D and H25/600T</b>								
1.75"x5"x42" Forks SE 250/75-12 Cascade 55F-SSS hang-on sideshifter Capacity (lb) at 24" load center								
h1 (in)	h3 (in)	h2 (in)	Type	Std. Carriage	Integrated SS Carriage	Integral SSFP Carriage	Integral SSFP "View" Carriage	Hang-on Sideshifter
89.5	125.8	0.0	Simplex	5500	5500	not available	not available	5350
95.4	137.6	0.0	Simplex	5500	5500	not available	not available	5350
107.2	161.2	0.0	Simplex	5500	5500	not available	not available	5350
87.3	128.5	56.9	Duplex	5500	5500	not available	not available	5350
91.1	136.4	60.8	Duplex	5500	5500	not available	not available	5350
103.0	160.0	72.6	Duplex	5500	5500	not available	not available	5350
87.2	190.2	56.9	Triplex	5500	5500	not available	not available	5325
89.2	196.1	58.8	Triplex	5500	5500	not available	not available	5325
91.1	202.0	60.8	Triplex	5500	5500	not available	not available	5325
95.1	209.8	64.7	Triplex	5500	5500	not available	not available	5325
97.0	215.7	66.7	Triplex	5500	5500	not available	not available	5325
103.0	233.5	72.6	Triplex	5250	5125	not available	not available	5025
110.8	253.1	80.5	Triplex	4475	4350	not available	not available	4275

# H20 - H35 CAPACITY RATINGS

August 2020

<b>H30D and H30T</b> 1.75"x5"x42" Forks SE 250/75-12 Cascade 55F-SSS hang-on sideshifter Capacity (lb) at 24" load center								
h1 (in)	h3 (in)	h2 (in)	Type	Std. Carriage	Integrated SS Carriage	Integral SSFP Carriage	Integral SSFP "View" Carriage	Hang-on Sideshifter
89.5	125.8	0.0	Simplex	6000	5900	5875	5450	5600
95.4	137.6	0.0	Simplex	6000	5900	5875	5450	5600
107.2	161.2	0.0	Simplex	6000	5900	5875	5450	5600
87.3	128.5	56.9	Duplex	6000	5900	5875	5450	5600
91.1	136.4	60.8	Duplex	6000	5900	5875	5450	5600
103.0	160.0	72.6	Duplex	6000	5900	5875	5450	5600
87.2	190.2	56.9	Triplex	6000	5900	5875	5450	5600
89.2	196.1	58.8	Triplex	6000	5900	5875	5450	5600
91.1	202.0	60.8	Triplex	6000	5900	5875	5450	5600
95.1	209.8	64.7	Triplex	6000	5900	5875	5450	5600
97.0	215.7	66.7	Triplex	5875	5700	5675	5275	5400
103.0	233.5	72.6	Triplex	5150	5000	4950	4600	4750
110.8	253.1	80.5	Triplex	4400	4250	4200	3925	4025

<b>H35D and H35T</b> 1.75"x5"x42" Forks SE 250/75-12 Cascade 55F-SSS hang-on sideshifter Capacity (lb) at 24" load center								
h1 (in)	h3 (in)	h2 (in)	Type	Std. Carriage	Integrated SS Carriage	Integral SSFP Carriage	Integral SSFP "View" Carriage	Hang-on Sideshifter
89.5	125.8	0.0	Simplex	7000	7000	6950	6450	6500
95.4	137.6	0.0	Simplex	7000	7000	6950	6450	6500
107.2	161.2	0.0	Simplex	7000	7000	6950	6450	6500
87.3	128.5	56.9	Duplex	7000	7000	6950	6450	6500
91.1	136.4	60.8	Duplex	7000	7000	6950	6450	6500
103.0	160.0	72.6	Duplex	7000	7000	6950	6450	6500
87.2	190.2	56.9	Triplex	7000	7000	6950	6475	6500
89.2	196.1	58.8	Triplex	7000	7000	6950	6475	6500
91.1	202.0	60.8	Triplex	7000	6825	6775	6300	6500
95.1	209.8	64.7	Triplex	6575	6375	6325	5875	6075
97.0	215.7	66.7	Triplex	6225	6050	5975	5575	5725
103.0	233.5	72.6	Triplex	5250	5100	5025	4700	4800
110.8	253.1	80.5	Triplex	4475	4350	4275	4000	4075



## DESIGNED FOR EFFICIENCY

Thanks to the optimized design of the chassis, cabin and mast, drivers now have an even better view in all directions. The particularly narrow A-pillar gives the driver good visibility of the load and their surroundings. The driving path is also easier to see thanks to the slim mast profiles. The lowered front plate also improves the visibility of the forks and the load. The Linde Series 1202 is designed for efficiency, with the driver in mind.

- Armrest controls, within an ergonomic workstation, enable precise operation
- Nested mast rail offers unmatched all-around visibility, increasing driver protection
- Low noise level promotes an exceptional driving experience
- A full suspension seat decreases operator fatigue
- An optional panoramic armored glass roof guarantees the best view upwards





## BUILT FOR ALL CONDITIONS

The Linde Series 1202 represents everything that Linde forklift trucks stand for. It is extremely powerful, user-friendly, robust and versatile with the ability to operate in countless applications.

- A fully enclosed belly pan prevents unwanted dirt and debris from entering the engine area, increasing the ability for operation in recycling and paper applications.
- Automatic acceleration and deceleration promotes infinite speed control, delivering smoother transitions with speed.
- Overhead tilt cylinders ensure the operator is working effectively and safely, increasing residual capacity.
- The high periphery view mast aids in the prevention of loading accidents, as well as ensuring outstanding visibility in all directions.

This vehicle offers **durability**, **safety** and **productivity**, resulting in the best solution for your material flow requirements, both now and in the future.



# CHARACTERISTICS



## Ergonomics

- Ergonomic and intuitive operating concept maximizes driver comfort
- Neoprene bearings between chassis, mast and tilt cylinder reduce negative effect of impact and vibrations
- Large variety of available seats, assist in preventing operator fatigue
- 3.5" color graphic display provides easy to read truck status



## Handling

- Linde Load Control and dual pedal travel control ensure precise operation of all movements
- Programmable "smart" buttons allow quick access to frequently used functions
- Overhead tilt cylinders enhance torsional stability and allow superior residual capacity at high lift heights
- Fuel consumption is minimized through low average engine RPM – effectively reducing operating cost



## Safety

- Shaped overhead guard legs and mast profiles, together with unique hose routing deliver outstanding all-around visibility
- Optional armored glass overhead guard top will allow unsurpassed load visibility at elevated heights
- Low center of gravity and high mounted (pivoting) steer axle enhance stability while cornering
- Linde assist systems support the operator in avoiding tip over situations



## Service

- Robust construction with low wear or even maintenance free components ensure high truck uptime
- Truck "health status" monitoring assist in effective fleet management programs
- Linde Engine Protection System provides additional protection against engine damage
- Extra-large service access openings facilitate easy component access

ANSI: Standard truck meets all applicable mandatory requirements of ANSI/ITSDF B56.1 standards for powered industrial trucks.  
NOTE: Performance data may vary due to motor and system efficiency tolerances. The performance capacity represents nominal values obtained under typical operating conditions. Metric dimensions are in millimeters unless otherwise specified. All metric dimensions are rounded up due to rounding data. The descriptions and specifications included on this data sheet were in effect at the time of printing. KION North America Corporation reserves the right to make improvements and changes in specification or design without notice and without incurring obligation. Please check with your authorized Linde dealer for information on possible updates or revisions.



**MONTREAL (Head office)**  
19151 A, Cruickshank Avenue  
Baie-D'Urfé (Québec) H9X 3N9  
Phone: 418 694-4223  
Toll free: 1 866 421-4223  
[info@elevex.ca](mailto:info@elevex.ca)  
[elevex.ca](http://elevex.ca)

**QUEBEC**  
1279, Paul-Émile Giroux St. Suite 200  
Québec (Québec) G1C 0K9

**SAGUENAY**  
2305, Alexis-Le-Trotteur  
St. Jonquière (Québec) G7X 9H8

