



Internal Combustion Counterbalance Forklift

HT20CT - HT32CT

4,000 - 6,500 lb. Capacity | Series 8962

- Self-Activating Parking Brake helps prevent operator misuse or negligence.
- Designed with enhanced stability with optimal center of gravity to help you confidently handle heavy loads.
- 5.6" Interactive Display provides critical information to the operator on the job, and helps your service technician complete diagnostics.
- 500-hour Oil Service Interval translates to more time working, and less time in the service bay.

STANDARD & OPTIONAL EQUIPMENT

Model/ Equipment		HT20CT - HT32CT
Standard Equipment	Rugged chassis	●
	Ford, LP Engine	●
	Oil Cooled Transmission with torque converter	●
	Three Pedal Control, Inching, Brake, Accelerator	●
	Force Cooled Wet Disc Brakes	●
	Directional Control On Steering Column	●
	30 Degree Adjustable Steering Column	●
	Cushion Tires	●
	Standard (max) Travel Speed Setting	●
	Standard Overhead Guard (82.9")	●
	High comfort, Full Suspension Seat	●
	Orange Seat Belt	●
	3 Individual Hydraulic Control Levers	●
	3-Function Hydraulic Valve	●
	Storage Tray	●
	Rear Grab Handle With Horn Button	●
	Comprehensive Color LCD Display	●
	Key Switch	●
	Two LED Work Lights	●
	Low mount, Horizontal Exhaust pipe	●
Linde Colors, Red - Dark Grey	●	
2 Year Standard Warranty	●	
Optional Equipment	Special Tires, Non-Marking, Treaded	○
	Simple, Dual, Triplex, Quad Masts	○
	Fork Carriage	○
	Hang-On Sideshifter	○
	Hang-On Sideshifting Fork Positioner	○
	Forks	○
	Load Backrest	○
	Low Overhead Guard	○
	Speed Limit	○
	Operator Fan	○
	Cloth Seat	○
	Internal Mirror	○
	Internal Panorama Mirror	○
	External Mirrors	○
	4-Function Hydraulic Valve	○
	Hydraulic Reeving	○
	Armrest Mini Levers	○
	Backup Alarm	○
	Backup Camera	○
	Flashing Beacon	○
Hydraulic Accumulator	○	
Removable Radiator Screen	○	
Additional Air Filter	○	
Swing Down LP Bracket	○	
Additional Warranty	○	

● Standard equipment

○ Optional equipment

ANSI: Standard truck meets all applicable mandatory requirements of ANSI/ISO B561 standards for powered industrial trucks. NOTE: Performance data may vary due to motor and system efficiency tolerances. The performance depicted represents nominal values obtained under typical operating conditions. Metric dimensions are in millimeters unless otherwise specified. All metric dimensions are not direct equivalents due to rounding data. The descriptions and specifications included on this data sheet were in effect at the time of printing. KION North America Corporation reserves the right to make improvements and changes in specification or design without notice and without incurring obligation. Please check with your authorized Linde dealer for information on possible updates or revisions.

CHARACTERISTICS

Real-Time Communication



Ergonomics



Massive Steel Frame



Rugged Drive Line



Industrial LP Engine



Low Maintenance

At 500 hours, this is among the best in the industry. Recommended daily check can be performed without removing any panels. Wet disc brakes ensure excellent truck control, without compromising low maintenance cost and effort. Confidence in the quality of the machine also allows Linde to offer standard 2-year or 4000-hour warranty.

Easy to Operate

The Linde HT20CT-HT32CT has a multitude of operator friendly features, including: spacious operator compartment, easy access to hydraulic levers, low noise and vibration levels, generous leg room, accessibility from both sides. For the driver, this means, precision operating at low fatigue level.

Visibility

The low-mounted propane tank and dashboard, combined with a clear view mast (peripheral view) increase all-around visibility. Excellent all-around visibility, together with low noise level and simple operation allow operators to stay alert and maintain unparalleled awareness of their surroundings. The surprisingly high residual capacity results in a very stable truck, adding to operator confidence level.

Low Fuel Consumption

With its impressive performance, the truck still maintains low fuel consumption and low exhaust emissions. State-of-the-art engine technology with multi-port fuel injection, timing chain, dual overhead cam maintains Tier 4f emission standards, without compromising fuel efficiency.

TECHNICAL DATA

					HT20CT		HT25CT		HT30CT		HT32CT		
Characteristics	1.2	Model											
	1.2a	Series				8962		8962		8962		8962	
	1.3	Drive system				LPG		LPG		LPG		LPG	
	1.4	Operation				Seat		Seat		Seat		Seat	
	1.5	Capacity	Q	Lb	(Kg)	4000	(1818)	5000	(2268)	6000	2727	6500	2954
	1.6	Load center	C	In	(Mm)	24	(600)	24	(600)	24	600	24	600
	1.8	Front overhang	X	In	(Mm)	16.1	(409)	16.1	(409)	16.1	409	16.3	414
	1.9	Wheelbase	Y	In	(Mm)	56.3	(430)	56.3	430)	56.3	430	56.3	430
	Weights	2.1	Weight		Lb	(Kg)	7562	(3430)	8380	(3801)	9301	4219	9764
2.2		Axle loading laden front		Lb	(Kg)	9907	(4658)	11383	(5370)	13098	6188	13977	6526
2.2.1		Axle loading laden rear		Lb	(Kg)	1655	(772)	1987	(932)	2203	1031	2287	1102
Wheels / Tires	2.3	Axle loading empty front		Lb	(Kg)	3058	(1387)	2822	(1280)	2824	1281	2824	1281
	2.3.1	Axle loading empty rear		Lb	(Kg)	4504	(2043)	5558	(2521)	6477	2939	6940	3148
	3.1	Tires				Cushion		Cushion		Cushion		Cushion	
	3.2	Tire size front				21x7		21x7		21x8		21x9	
	3.3	Tire size rear				16x5-10.5		16x5-10.5		16x6-10.5		16x6-10.5	
3.5	Wheels number front / rear				2 (Driven) / 2		2 (Driven) / 2		2 (Driven) / 2		2 (Driven) / 2		
Dimensions	3.6	Track width front	B10	In	(Mm)	34.8	884	34.8	(884)	35.7	909	36.5	926
	3.7	Track width rear	B11	In	(Mm)	35.2	895	35.2	(895)	36.2	920	36.2	920
	4.1	Tilt forward / backward		Deg		Mast table		Mast table		Mast table		Mast table	
	4.2	Closed height	H1	In	(Mm)	Mast, Capacity, Table		Mast, Capacity, Table		Mast, Capacity, Table		Mast, Capacity, Table	
	4.3	Free lift	H2	In	(Mm)	Mast, Capacity, Table		Mast, Capacity, Table		Mast, Capacity, Table		Mast, Capacity, Table	
	4.4	Lift height	H3	In	(Mm)	Mast, Capacity, Table		Mast, Capacity, Table		Mast, Capacity, Table		Mast, Capacity, Table	
	4.5	Height mast raised	H4	In	(Mm)	Mast, Capacity, Table		Mast, Capacity, Table		Mast, Capacity, Table		Mast, Capacity, Table	
	4.7	Overhead guard height	H6	In	(Mm)	82.9	(2105)	82.9	(2105)	82.9	(2105)	82.9	(2105)
	4.8	Seat height	H7	In	(Mm)	43.8	(1113)	43.8	(1113)	43.8	(1113)	43.8	(1113)
	4.12	Tow pin height	H10	In	(Mm)	12.2	(310)	12.2	(12.2)	12.2	(12.2)	12.2	(310)
	4.19	Overall length (48" forks)	L1	In	(Mm)	138.3	(3512)	140.3	(3563)	142.4	(3616)	143.7	(3649)
	4.20	Length to fork face	L2	In	(Mm)	90.3	(2224)	92.3	(2344)	94.4	(2398)	95.7	(2431)
	4.21	Overall width	B1	In	(Mm)	41.7	(1060)	41.7	(1060)	43.9	(1114)	45.5	(1155)
	4.23	Type carriage				Ita class 2		Ita class 2		Ita class 2		Ita class 2	
	4.24	Carriage width	B3	In	(Mm)	37	(940)	37	(940)	41	(1041)	41	(1041)
	4.31	Ground clearance mast	M1	In	(Mm)	3.3	(85)	3.3	(85)	3.3	(85)	3.3	(85)
4.32	Ground clearance chassis	M2	In	(Mm)	4.3	(110)	4.3	(110)	4.3	(110)	4.3	(110)	
4.33	Aisle width (48" load)	Ast	In	(Mm)	151.3	(3843)	153.2	(3891)	155.1	(3939)	156.8	(3982)	
4.34	Aisle width (add load + clearance)	Ast	In	(Mm)	95.3	(2420)	97.2	(2468)	99.1	(2517)	100.8	(2560)	
Performance	4.35	Outer turning radius	Wa	In	(Mm)	79.2	(2020)	81.1	(2061)	83	(2109)	84.5	(2127)
	5.1	Travel speed laden		Mp/h	(Km/h)	11.2	(18.1)	11.2	(18.1)	11.1	(17.9)	11.1	(17.9)
	5.1.1	Travel speed empty		Mp/h	(Km/h)	11.5	(18.5)	11.5	(18.5)	11.4	(18.4)	11.4	(18.4)
	5.2	Lift speed laden		Fpm	(M/s)	102.4	(0.52)	102.4	(0.52)	102.4	(0.52)	102.4	(0.52)
	5.2.1	Lift speed empty		Fpm	(M/s)	106.3	(0.54)	106.3	(0.54)	106.3	(0.54)	106.3	(0.54)
	5.3	Lowering speed laden		Fpm	(M/s)	108.2	(0.55)	108.2	(0.55)	108.2	(0.55)	108.2	(0.55)
Drive	5.3.1	Lowering speed empty		Fpm	(M/s)	98.4	(0.50)	98.4	(0.50)	98.4	(0.50)	98.4	(0.50)
	5.5	Drawbar pull laden		lbf	(N)	4628	(20584)	4628	(20584)	4603	(20475)	4555	(20261)
	5.5.1	Drawbar pull empty		lbf	(N)	1867	(8306)	1724	(7660)	1609	(7157)	1579	(7024)
	5.7	Gradeability laden / empty		%		33.8 / 18.8		33.8 / 18.8		29 / 16.1		27.3 / 14.8	
	5.10	Brakes				Internal wet disc		Internal wet disc		Internal wet disc		Internal wet disc	
	7.1	Engine manufacturer / type				Ford 2.5		Ford 2.5		Ford 2.5		Ford 2.5	
	7.2	Engine power rating		Hp	(Kw)	69.7	(52)	69.7	(52)	69.7	(52)	69.7	(52)
	7.3	Engine speed (min / max)		Rpm		850 / 2500		850 / 2500		850 / 2500		850 / 2500	
	7.4	4 Cylinders / volume		In ³	(Cc)	152	(2488)	152	(2488)	152	(2488)	152	(2488)
	8.1	Type of drive unit				Torque converter		Torque converter		Torque converter		Torque converter	
10.7	Noise level			Db(a)	79		79		79		79		

1) Further lift height see upright table

2) Load with 1.6 km/h

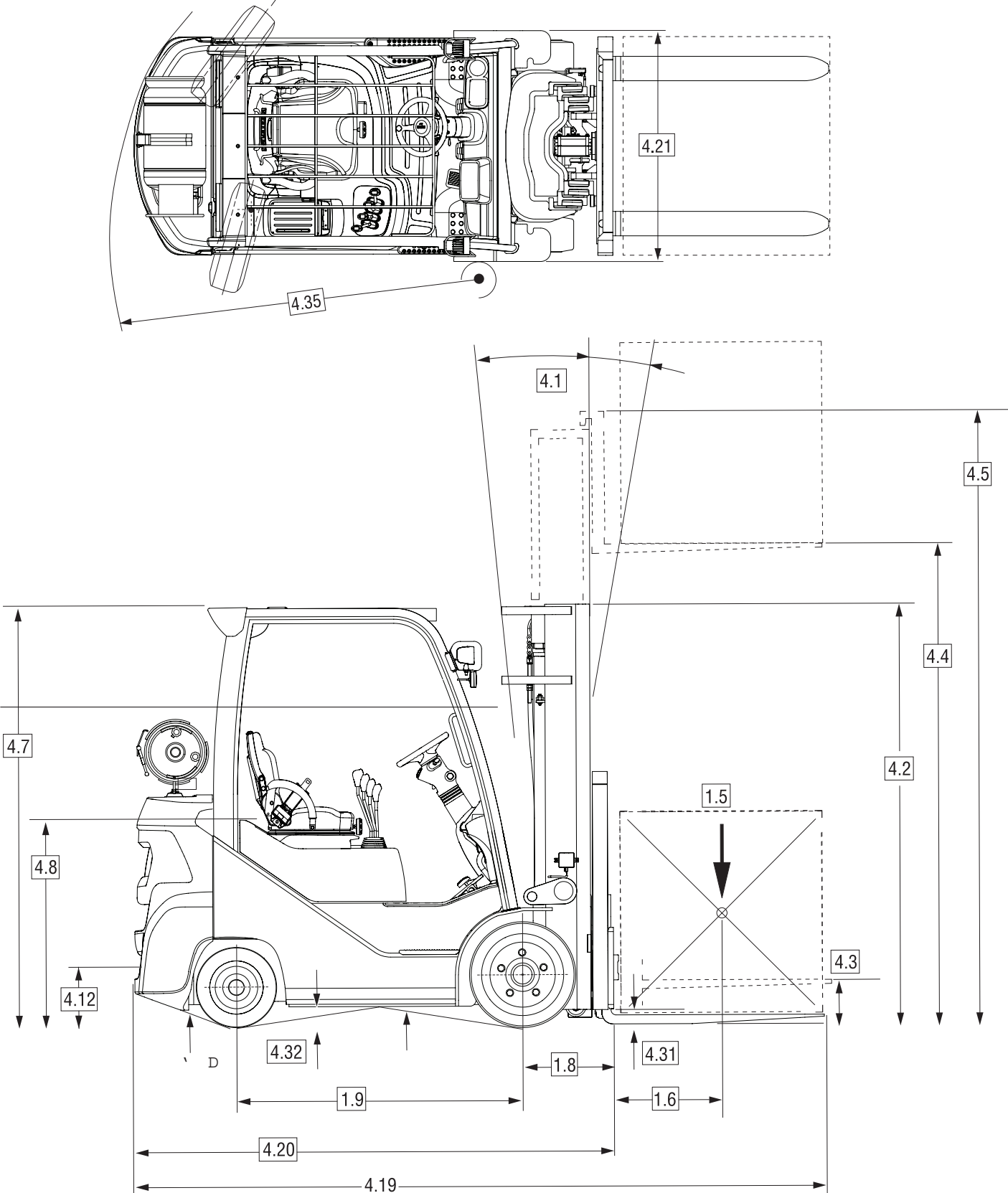
3) At friction coefficient =0.6

4) Equivalent permanent sound-pressure level LpAeq, T in accordance with DIN EN 12053

5) Without load backrest

6) Pounds calculated at 24" LC and Kilograms calculated at 500mmLC

TECHNICAL DATA



For corresponding data see Specification Chart

MAST TABLES

HT20CT

1.75" x 4" x 42" Forks Class 2

Cushion Tire 21 x 7 x 15 / *Cascade HOSS 55F-SSS-2-0212

Mast Table								Capacity @ Load Center					
Mast Type	Tilt	h1 (lowered height)		H (lift height)		h2 (free lift)		Standard Carriage 600 mm LC		Hang-On SS* 600 mm LC		Hang-On SS/FP* 600 mm LC	
		in	mm	in	mm	in	mm	lb	kg	lb	kg	lb	kg
Standard	8F / 10B	86.7	2124	138	3381	0	0	4000	1818	4000	1818	3650	1659
	8F / 10B	92.6	2269	147	3602	0	0	4000	1818	4000	1818	3650	1659
	8F / 10B	95.5	2340	152	3724	0	0	4000	1818	4000	1818	3650	1659
	5F / 6B	106.2	2602	164	4018	0	0	4000	1818	4000	1818	3650	1659
	5F / 6B	114.0	2793	172	4214	0	0	4000	1818	4000	1818	3650	1659
	5F / 6B	123.1	3016	182	4459	0	0	4000	1818	3850	1750	3650	1659
Duplex	6F / 5B	77.0	1,887	115	2818	55.2	1352	4000	1818	4000	1818	3650	1659
	6F / 5B	83.3	2,041	128	3136	61.5	1507	4000	1818	4000	1818	3650	1659
	6F / 5B	88.8	2,176	139	3406	67.0	1642	4000	1818	4000	1818	3650	1659
	6F / 5B	94.7	2,320	148	3626	72.9	1786	4000	1818	4000	1818	3650	1659
Triplex	6F / 5B	83.3	2,041	189.0	4631	61.5	1507	4000	1818	3850	1750	3650	1659
	3F / 5B	88.8	2,176	205.0	5023	67.0	1642	3850	1750	3550	1614	3400	1545
	3F / 5B	94.7	2,320	217.0	5317	72.9	1786	3650	1659	3300	1500	3200	1455
	3F / 5B	97.6	2,391	226.0	5537	75.9	1860	3400	1545	3100	1409	3000	1364
	3F / 5B	103.9	2,546	240.0	5880	82.2	2014	2900	1318	2800	1273	2700	1227
	3F / 3B	108.3	2,653	251.0	6150	86.5	2119	2625	1193	2575	1170	2450	1114
Quad	3F / 5B	83.0	2034	240.0	5880	61.5	1507	2,900	1,318	2,750	1,250	factory	factory
	3F / 3B	89.0	2181	258.0	6321	67.2	1646	2,600	1,182	2,750	1,250	factory	factory
	3F / 3B	95.0	2328	276.0	6762	73.2	1793	factory	factory	factory	factory	factory	factory

HT25CT

1.75" x 4" x 48" Forks Class 2

Cushion Tire 21 x 7 x 15 / *Cascade HOSS 55F-SSS-2-0212

Mast Table								Capacity @ Load Center					
Mast Type	Tilt	h1 (lowered height)		H (lift height)		h2 (free lift)		Standard Carriage 600 mm LC		Hang-On SS* 600 mm LC		Hang-On SS/FP* 600 mm LC	
		in	mm	in	mm	in	mm	lb	kg	lb	kg	lb	kg
Standard	8F / 10B	86.7	2124	138	3381	0	0	5000	2273	5000	2273	4650	2114
	8F / 10B	92.6	2269	147	3602	0	0	5000	2273	5000	2273	4650	2114
	8F / 10B	95.5	2340	152	3724	0	0	5000	2273	5000	2273	4650	2114
	5F / 6B	106.2	2602	164	4018	0	0	5000	2273	5000	2273	4650	2114
	5F / 6B	114.0	2793	172	4214	0	0	5000	2273	5000	2273	4650	2114
	5F / 6B	123.1	3016	182	4459	0	0	5000	2273	5000	2273	4650	2114
Duplex	6F / 5B	77.0	1887	115	2818	55.2	1352	5000	2273	5000	2273	4650	2114
	6F / 5B	83.3	2041	128	3136	61.5	1507	5000	2273	5000	2273	4650	2114
	6F / 5B	88.8	2176	139	3406	67.0	1642	5000	2273	5000	2273	4650	2114
	6F / 5B	94.7	2320	148	3626	72.9	1786	5000	2273	5000	2273	4650	2114
Triplex	6F / 5B	83.3	2041	189.0	4631	61.5	1507	5000	2273	5000	2273	4650	2114
	6F / 5B	88.8	2176	205.0	5023	67.0	1642	4950	2250	4500	2045	4400	2000
	6F / 5B	94.7	2320	217.0	5317	72.9	1786	4750	2159	4400	2000	4200	1909
	6F / 5B	97.6	2391	226.0	5537	75.9	1860	4500	2045	4300	1955	3950	1795
	6F / 5B	103.9	2546	240.0	5880	82.2	2014	4350	1977	4250	1932	3700	1682
	6F / 5B	108.3	2653	251.0	6150	86.5	2119	3625	1648	3575	1625	3450	1568
Quad	3F / 5B	83.0	2034	240.0	5880	61.5	1507	4350	1977	4250	1932	factory	factory
	3F / 3B	89.0	2181	258.0	6321	67.2	1646	3900	1773	3600	1636	factory	factory
	3F / 3B	95.0	2328	276.0	6762	73.2	1793	3500	1591	3200	1455	factory	factory

MAST TABLES

HT30CT

1.75" x 5" x 48" Forks Class 3

Cushion Tire 21 x 8 x 15 / *Cascade HOSS 55F-SSS-3-0212

Mast Table								Capacity @ Load Center					
Mast Type	Tilt	h1 (lowered height)		H (lift height)		h2 (free lift)		Standard Carriage 600 mm LC		Hang-On SS* 600 mm LC		Hang-On SS/FP* 600 mm LC	
		in	mm	in	mm	in	mm	lb	kg	lb	kg	lb	kg
Standard	8F / 10B	86.7	2124	138	3381	0	0	6000	2727	6000	2727	5500	2500
	8F / 10B	92.6	2269	147	3602	0	0	6000	2727	6000	2727	5500	2500
	8F / 10B	95.5	2340	152	3724	0	0	6000	2727	6000	2727	5500	2500
	5F / 6B	106.2	2602	164	4018	0	0	6000	2727	6000	2727	5500	2500
	5F / 6B	114.0	2793	172	4214	0	0	6000	2727	6000	2727	5500	2500
	5F / 6B	123.1	3016	182	4459	0	0	6000	2727	6000	2727	5500	2500
Duplex	6F / 5B	77.0	1,887	115	2818	55.2	1352	6000	2727	6000	2727	5500	2500
	6F / 5B	83.3	2,041	128	3136	61.5	1507	6000	2727	6000	2727	5500	2500
	6F / 5B	88.8	2,176	139	3406	67.0	1642	6000	2727	6000	2727	5500	2500
	6F / 5B	94.7	2,320	148	3626	72.9	1786	6000	2727	6000	2727	5500	2500
Triplex	6F / 5B	83.3	2,041	189.0	4631	61.5	1507	6000	2727	6000	2727	5500	2500
	6F / 5B	88.8	2,176	205.0	5023	67.0	1642	5950	2705	5800	2636	5500	2500
	6F / 5B	94.7	2,320	217.0	5317	72.9	1786	5750	2614	5650	2568	5050	2295
	6F / 5B	97.6	2,391	226.0	5537	75.9	1860	5500	2500	4950	2250	5050	2295
	6F / 5B	103.9	2,546	240.0	5880	82.2	2014	4900	2227	4800	2182	4700	2136
	6F / 5B	108.3	2,653	251.0	6150	86.5	2119	4625	2102	4575	2080	4450	2023
Quad	3F / 5B	83.0	2034	240.0	5880	61.5	1507	4,900	2,227	4,800	2,182	factory	factory
	3F / 3B	89.0	2181	258.0	6321	67.2	1646	4,525	2,057	4,475	2,034	factory	factory
	3F / 3B	95.0	2328	276.0	6762	73.2	1793	4,200	1,909	4,150	1,886	factory	factory

HT35CT

2.00" x 5" x 48" Forks Class 2

Cushion Tire 21 x 9 x 15 / *Cascade HOSS 55F-SSS-3-0212

Mast Table								Capacity @ Load Center					
Mast Type	Tilt	h1 (lowered height)		H (lift height)		h2 (free lift)		Standard Carriage 600 mm LC		Hang-On SS* 600 mm LC		Hang-On SS/FP* 600 mm LC	
		in	mm	in	mm	in	mm	lb	kg	lb	kg	lb	kg
Standard	8F / 8B	74.9	1,835	112.0	2744	0	0	6500	2955	6500	2955	5850	2659
	10F / 10B	81.2	1,989	125.0	3063	0	0	6500	2955	6500	2955	5850	2659
	10F / 10B	86.7	2,124	132.0	3234	0	0	6500	2955	6500	2955	5850	2659
	10F / 10B	92.6	2,269	141.0	3455	0	0	6500	2955	6500	2955	5850	2659
	10F / 8B	95.5	2,340	147.0	3602	0	0	6500	2955	6500	2955	5850	2659
	5F / 6B	106.2	2,602	159.0	3896	0	0	6500	2955	6500	2955	5850	2659
Triplex	6F / 5B	77.0	1,887	163.0	3994	51.0	1250	6500	2955	6500	2955	5850	2659
	6F / 5B	83.3	2,041	182.0	4459	57.3	1404	6500	2955	6300	2864	5850	2659
	6F / 5B	88.8	2,176	198.0	4851	52.8	1294	6300	2864	5750	2614	5600	2545
	6F / 5B	94.7	2,320	210.0	5145	68.7	1683	6050	2750	5500	2500	5400	2455
	6F / 5B	97.6	2,391	219.0	5366	71.7	1757	5500	2500	4950	2250	4850	2205
	6F / 5B	108.3	2,653	244.0	5978	82.3	2016	4750	2159	4200	1909	4100	1864
Quad	3F / 5B	83.0	2034	240.0	5880	61.5	1507	4900	2227	4800	2182	factory	factory
	3F / 3B	89.0	2181	258.0	6321	67.2	1646	4525	2057	4475	2034	factory	factory
	3F / 3B	95.0	2328	276.0	6762	73.2	1793	4200	1909	4150	1886	factory	factory

CHARACTERISTICS



Performance

- 4-Cylinder Dual Overhead Cam Design
- VVT (Variable Valve Timing)
- Sequential Multi-Port Fuel Injection
- Timing Chain-Driven Camshaft
- Side (Deck) Mounted Hydraulic Controls



Durability

- Force-Cooled Wet Disc Brakes
- Fully Welded Heavy Gauge Frame
- Nested I-Beam Upright
- 6-Roller Carriage
- External Side-thrust Rollers
- Proven Steer Axles and Cooling Systems



Convenient Interfaces

- 5.6" color display
- LED charge indicator light
- Easy-access charging port
- 5V USB charging port
- Full suspension vinyl driver's seat



Ergonomics

- Minimal Vibration / Noise via Balanced Engine and Isolated Transmission
- Adjustable Full-Suspension Seat
- Adjustable Steering Column with up to 30 degree Tilt



MONTREAL (Head office)

19151 A, Cruickshank Avenue
Baie-D'Urfé (Québec) H9X 3N9
Phone: 418 694-4223
Toll free: 1 866 421-4223
info@elevex.ca
elevex.ca

QUEBEC

1279, Paul-Émile Giroux St. Suite 200
Québec (Québec) G1C 0K9

SAGUENAY

2305, Alexis-Le-Trotteur
St. Jonquière (Québec) G7X 9H8

