



Linde Material Handling

Linde



Electric Heavy Truck

E100 - E180

20,000 - 39,000 lb. Capacity Series 1471

- Most powerful electric forklift in its class, combines highest performance with dynamics and zero emissions
- Heavy-duty transport up to 39,000 lb., lifting height up to 23 ft.
- Asymmetric slim mast profiles, narrow A-pillar, lowered front plate and large glass roof panel for excellent visibility
- Vehicles can be adapted to every customer application with lead-acid or lithium-ion battery pairs

STANDARD & OPTIONAL EQUIPMENT

Model/Equipment		E100-E180
Awareness	Audible warning reverse alarm (85 dB)	●
	Operator presence switch	●
	Truck speed limiting based on digital input (switch inside the cabin)	○
	Overhead guard add-ons – Front screen, top window, rear window	○
	Reversing camera system and screen	○
Digitalization	Connect Access Control PIN	○
	Connect Access Control RFID	○
Operation / Load Handling	Single drive pedal with direction selector in armrest	○
	Linde twin drive pedals to control truck travel	○
	Forward tilting cabin	●
	Linde Load Control for low-effort precision of all mast functions	●
	Linde Load Weight Indicator (±2200 lb.)	●
	Linde Load Weight Indicator (±200 lb.)	○
Environment	Sealed chassis bottom	●
Electronics	Battery disconnect switch	●
Workplace	Open cabin with armored glass roof	●
	Deluxe cabin with climate control, heated seat, adjustable steering column, roof and front screen blinds, front, top and rear washer/wipers and right hand sliding window	○
	Sun blinds front and top screen	○
	7" color touchscreen	●
	10° or 17° rotating driver's seat	○
	Air-suspension seat with compressor	○
	Hydraulic-suspension comfort-class seat with wide range of adjustment	●
	Adjustable steering column	●
	Orange lap type seat belt	●
	External rear view mirrors	○
	Internal rear-view mirror	●
	Heater/Climate Control	○
	USB charging port	●
	12 V socket in cabin	●
	Abundant storage space (for writing materials, beverage cans, etc.)	●
Armrest with storage box	●	
Document storage bin	●	
Cup holder	●	
Mast	Standard masts, 137" - 275" lift height (model specific, refer to mast table)	○
	Duplex masts (full free lift), 137" - 275" lift height (model specific)	○
	Triplex masts (full free lift), 216" - 275" lift height (model specific)	○
	Mast hydraulic accumulator	○
Attachment / Forks	Fork carriage, width b3 = 100"	○
	Alternative carriage widths – 118", 138", 158", 177"	○
Axles and Tires	Premium pneumatic tires	●
	Resilient, solid pneumatic tires	○
	Non-marking tires	○
Lighting	External step lighting	○
	Working lights LED	○
	Full road lighting	○
	Flashing Strobe Lights	○
	Truck lights, work lamps	○

● Standard equipment ○ Optional equipment

ANSI: Standard truck meets all applicable mandatory requirements of ANSI/ISO B561 standards for powered industrial trucks.
 NOTE: Performance data may vary due to motor and system efficiency tolerances. The performance depicted represents nominal values obtained under typical operating conditions. Metric dimensions are in millimeters unless otherwise specified. All metric dimensions are not direct equivalents due to rounding data. The descriptions and specifications included on this data sheet were in effect at the time of printing. KION North America Corporation reserves the right to make improvements and changes in specification or design without incurring obligation. Please check with your authorized Linde dealer for information on possible updates or revisions.

E100 - E180 TECHNICAL DATA

Characteristics	1.1	Manufacturer		LINDE	LINDE	LINDE
	1.2	Manufacturer's type designation		E100/600	E120/600	E140/600
	1.2a	Series		1471	1471	1471
	1.3	Power unit		Battery	Battery	Battery
	1.4	Operation		Seat	Seat	Seat
	1.5	Load capacity/Load	Q (lb)	22,000	26,000	30,000
	1.6	Load center distance	c (in)	24	24	24
	1.8	Axle center to fork face	x (in)	33.4	33.4	34.8
	1.9	Wheelbase	y (in)	118	118	118
Weights	2.1	Service weight	lb	48,517	48,517	51,215
	2.2	Axle load with load, front/rear	lb	57,761 / 12,802	64,297 / 10,674	74,333 / 7,747
	2.3	Axle load without load, front/rear	lb	25,082 / 23,435	25,082 / 23,435	28,201.5 / 23,014
Wheels/Tires	3.1	Tire types		Pneumatic / Solid Pneumatic	Pneumatic / Solid Pneumatic	Pneumatic / Solid Pneumatic
	3.2	Tire size, front		12.00 x 20 / 20 PR	12.00 x 20 / 20 PR	12.00 x 20 / 20 PR
	3.3	Tire size, rear		12.00 x 20 / 20 PR	12.00 x 20 / 20 PR	12.00 x 20 / 20 PR
	3.5	Wheels, number front/rear (x = driven)		4x / 2	4x / 2	4x / 2
	3.6	Track width, front	b10 (in)	73.8	73.8	73.8
	3.7	Track width, rear	b11 (in)	77.6	77.6	77.6
	Dimensions	4.1	Mast/fork carriage tilt, forward/backward	α/β (°)	15 / 10 ¹⁾	15 / 10 ¹⁾
4.2		Height of mast, lowered	h1 (in)	134.1 ²⁾	134.1 ²⁾	147.1 ²⁾
4.3		Free lift	h2 (in)	5.9	5.9	5.9
4.4		Lift	h3 (in)	157.5	157.5	157.5
4.5		Height of mast, extended	h4 (in)	209.8	209.8	222.9
4.7		Height of overhead guard (cabin)	h6 (in)	118.5	118.5	119.5
4.8		Seat height	h7 (in)	77.7	77.7	78.9
4.12		Towing coupling height	h10 (in)	21.7	21.7	22.8
4.19		Overall length	l1 (in)	227.7	227.7	230.9
4.20		Length to fork face	l2 (in)	180.5	180.5	183.7
4.21		Overall width	b1/b2 (in)	99.6 / 90.6	99.6 / 90.6	101.0 / 90.6
4.22		Fork dimensions	s / e / l (in)	3.5 x 8 x 48	3.5 x 8 x 48	4 x 8 x 48
4.23		Fork carriage		Hyd. fork positioner	Hyd. fork positioner	Hyd. fork positioner
4.24		Width of fork carriage	b3 (in)	100.2	100.2	100.2
4.25		Fork spread	b5 (in)	24.0 / 89.5	24.0 / 89.5	24.4 / 87.4
4.31		Ground clearance, below mast	m1 (in)	6.8	6.8	7.9 ³⁾
4.32	Ground clearance, center of wheelbase	m2 (in)	13.6	13.6	14.8	
4.35	Turning radius	Wa (in)	161.5	161.5	161.5	
4.36	Minimum pivoting point distance	b13 (in)	53.6	53.6	53.6	
Performance	5.1	Travel speed, with/without load (lead-acid)	mph	11.2 / 12.4	11.2 / 12.4	11.2 / 12.4
	5.1	Travel speed, with/without load (Linde Li-ION)	mph	14.3 / 15.5	14.3 / 15.5	14.3 / 15.5
	5.2	Lifting speed, with/without load	fpm	77 / 77	77 / 77	77 / 77
	5.3	Lowering speed, with/without load	fpm	98 / 96	98 / 96	98 / 96
	5.5	Tractive force, with/without load	lbf	23,829	23,829	23,829
Drive	6.1	Drive motor rating S2 60 min	kW	4 x 18	4 x 18	4 x 18
	6.2	Lift motor rating at S3 15%	kW	3 x 25	3 x 25	4 x 25
	6.3	Battery quantity	each	2x	2x	2x
	6.4	Battery weight, each (minimum/maximum)	lb	4,561 / 5,041	4,561 / 5,041	4,561 / 5,041
	6.5	Battery lead length and connector		B - 40" / DIN 640A	B - 40" / DIN 640A	B - 40" / DIN 640A
	6.6a	Maximum battery dimensions (small carrier)	X / Y / Z	40.5 x 39.3 x 30.9	40.5 x 39.3 x 30.9	40.5 x 39.3 x 30.9
	6.6b	Maximum battery dimensions (large carrier)	X / Y / Z	Not applicable	Not applicable	Not applicable
	6.8a	Battery specification (DIN 43536, small carrier)	Type / V / Ah	6PzS / 80V / 930Ah	6PzS / 80V / 930Ah	6PzS / 80V / 930Ah
	6.8b	Battery specification (DIN 43536, large carrier)	Type / V / Ah	Not applicable	Not applicable	Not applicable
	6.9a	Battery specification, Linde Li-ION ⁴⁾	V / kWh	90V / 84 kWh	90V / 84 kWh	90V / 84 kWh
6.9b	Battery specification, Linde Li-ION ⁴⁾	V / kWh	90V / 126 kWh	90V / 126 kWh	90V / 126 kWh	
Others	10.1	Operating pressure for attachments	psi	3,600	3,600	3,600
	10.2	Oil flow for attachments	gpm	34.3	34.3	34.3
	10.7	Sound pressure level LpAZ (at the driver's seat)	dB(A)	70	70	70
	10.8	Towing coupling, design/type, DIN 15170	in	Ø 2.0	Ø 2.0	Ø 2.0

- 1) Tilt angle (forward) stops at 5°. Tilting to 15° is possible over second interlock
- 2) With 6" (150 mm) free lift
- 3) Ground clearance to chassis is 11.3" (287mm)
- 4) Linde Li-ION batteries fit small battery carrier only

E100 - E180 TECHNICAL DATA

Characteristics	1.1	Manufacturer		LINDE	LINDE	LINDE
	1.2	Manufacturer's type designation		E150/600	E160/600	E180/600
	1.2a	Series		1471	1471	1471
	1.3	Power unit		Battery	Battery	Battery
	1.4	Operation		Seat	Seat	Seat
	1.5	Load capacity/Load	Q (lb)	33,000	35,000	39,000
	1.6	Load center distance	c (in)	24	24	24
	1.8	Axle center to fork face	x (in)	34.8	34.8	34.8
	1.9	Wheelbase	y (in)	128	128	128
Weights	2.1	Service weight	lb	54,297	54,522	58,151
	2.2	Axle load with load, front/rear	lb	77,675 / 9,691	81,260 / 8,536	87,644 / 10,189
	2.3	Axle load without load, front/rear	lb	29,506 / 24,791	29,879 / 24,643	29,841 / 28,309
Wheels/Tires	3.1	Tire types		Pneumatic / Solid Pneumatic	Pneumatic / Solid Pneumatic	Pneumatic / Solid Pneumatic
	3.2	Tire size, front		12.00 x 20 / 20 PR	12.00 x 20 / 20 PR	12.00 x 20 / 20 PR
	3.3	Tire size, rear		12.00 x 20 / 20 PR	12.00 x 20 / 20 PR	12.00 x 20 / 20 PR
	3.5	Wheels, number front/rear (x = driven)		4x / 2	4x / 2	4x / 2
	3.6	Track width, front	b10 (in)	73.8	73.8	73.8
	3.7	Track width, rear	b11 (in)	77.6	77.6	77.6
	Dimensions	4.1	Mast/fork carriage tilt, forward/backward	α/β (°)	15 / 10 ¹⁾	15 / 10 ¹⁾
4.2		Height of mast, lowered	h1 (in)	1471 ²⁾	1471 ²⁾	1471 ²⁾
4.3		Free lift	h2 (in)	5.9	5.9	5.9
4.4		Lift	h3 (in)	157.5	157.5	157.5
4.5		Height of mast, extended	h4 (in)	222.9	222.9	222.9
4.7		Height of overhead guard (cabin)	h6 (in)	119.5	119.5	119.5
4.8		Seat height	h7 (in)	78.9	78.9	78.9
4.12		Towing coupling height	h10 (in)	22.8	22.8	22.8
4.19		Overall length	l1 (in)	240.8	240.8	246.9
4.20		Length to fork face	l2 (in)	193.5	193.5	199.7
4.21		Overall width	b1/b2 (in)	101.0 / 90.6	101.0 / 90.6	101.0 / 90.6
4.22		Fork dimensions	s / e / l (in)	3.5 x 8 x 48	4 x 8 x 48	4 x 8 x 48
4.23		Fork carriage		Hyd. fork positioner	Hyd. fork positioner	Hyd. fork positioner
4.24		Width of fork carriage	b3 (in)	100.2	100.2	100.2
4.25		Fork spread	b5 (in)	24.4 / 87.4	24.4 / 87.4	24.4 / 87.4
4.31		Ground clearance, below mast	m1 (in)	7.9 ³⁾	7.9 ³⁾	7.9 ³⁾
4.32		Ground clearance, center of wheelbase	m2 (in)	14.8	14.8	14.8
4.35		Turning radius	Wa (in)	170.8	170.8	177.6
4.36		Minimum pivoting point distance	b13 (in)	55.3	55.3	55.3
Performance	5.1	Travel speed, with/without load (lead-acid)	mph	11.2 / 12.4	11.2 / 12.4	11.2 / 12.4
	5.1	Travel speed, with/without load (Linde Li-ION)	mph	14.3 / 15.5	14.3 / 15.5	14.3 / 15.5
	5.2	Lifting speed, with/without load	fpm	77 / 77	77 / 77	77 / 77
	5.3	Lowering speed, with/without load	fpm	98 / 96	98 / 96	98 / 96
	5.5	Tractive force, with/without load	lbf	23,829	23,829	23,829
Drive	6.1	Drive motor rating S2 60 min	kW	4 x 18	4 x 18	4 x 18
	6.2	Lift motor rating at S3 15%	kW	4 x 25	4 x 25	4 x 25
	6.3	Battery quantity	each	2x	2x	2x
	6.4	Battery weight, each (minimum/maximum)	lb	4,561 / 6,447	4,561 / 6,447	4,561 / 6,447
	6.5	Battery lead length and connector		B - 40" / DIN 640A	B - 40" / DIN 640A	B - 40" / DIN 640A
	6.6a	Maximum battery dimensions (small carrier)	X / Y / Z	40.5 x 39.3 x 30.9	40.5 x 39.3 x 30.9	40.5 x 39.3 x 30.9
	6.6b	Maximum battery dimensions (large carrier)	X / Y / Z	50.7 x 40.8 x 30.9	50.7 x 40.8 x 30.9	50.7 x 40.8 x 30.9
	6.8a	Battery specification (DIN 43536, small carrier)	Type / V / Ah	6PzS / 80V / 930Ah	6PzS / 80V / 930Ah	6PzS / 80V / 930Ah
	6.8b	Battery specification (DIN 43536, large carrier)	Type / V / Ah	8PzS / 80V/1240Ah	8PzS / 80V/1240Ah	8PzS / 80V/1240Ah
	6.9a	Battery specification, Linde Li-ION ⁴⁾	V / kWh	90V / 84 kWh	90V / 84 kWh	90V / 84 kWh
6.9b	Battery specification, Linde Li-ION ⁴⁾	V / kWh	90V / 126 kWh	90V / 126 kWh	90V / 126 kWh	
Others	10.1	Operating pressure for attachments	psi	3,600	3,600	3,600
	10.2	Oil flow for attachments	gpm	34.3	34.3	34.3
	10.7	Sound pressure level LpAZ (at the driver's seat)	dB(A)	70	70	70
	10.8	Towing coupling, design/type, DIN 15170		Ø 2.0	Ø 2.0	Ø 2.0

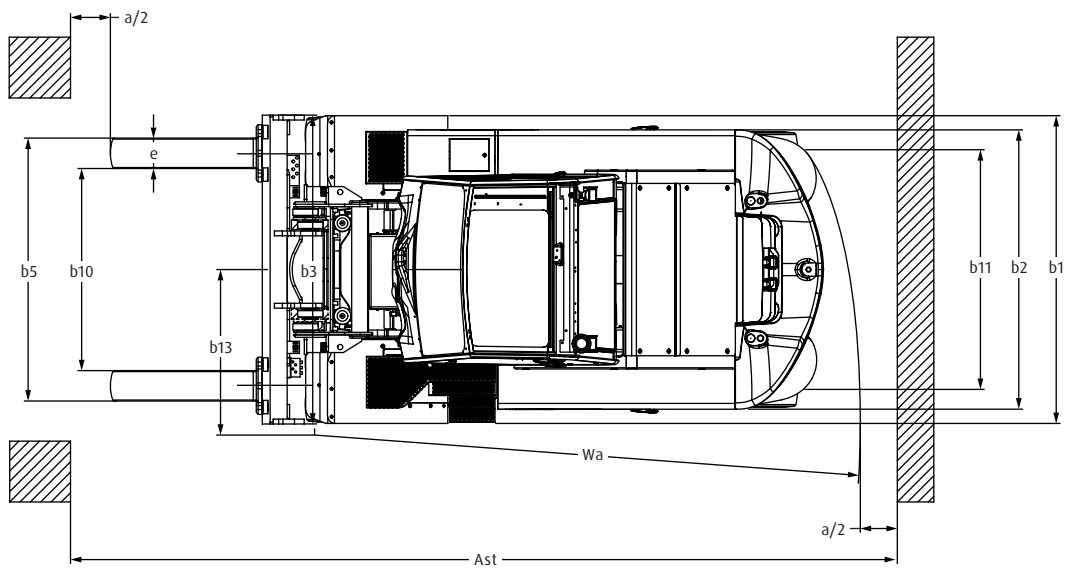
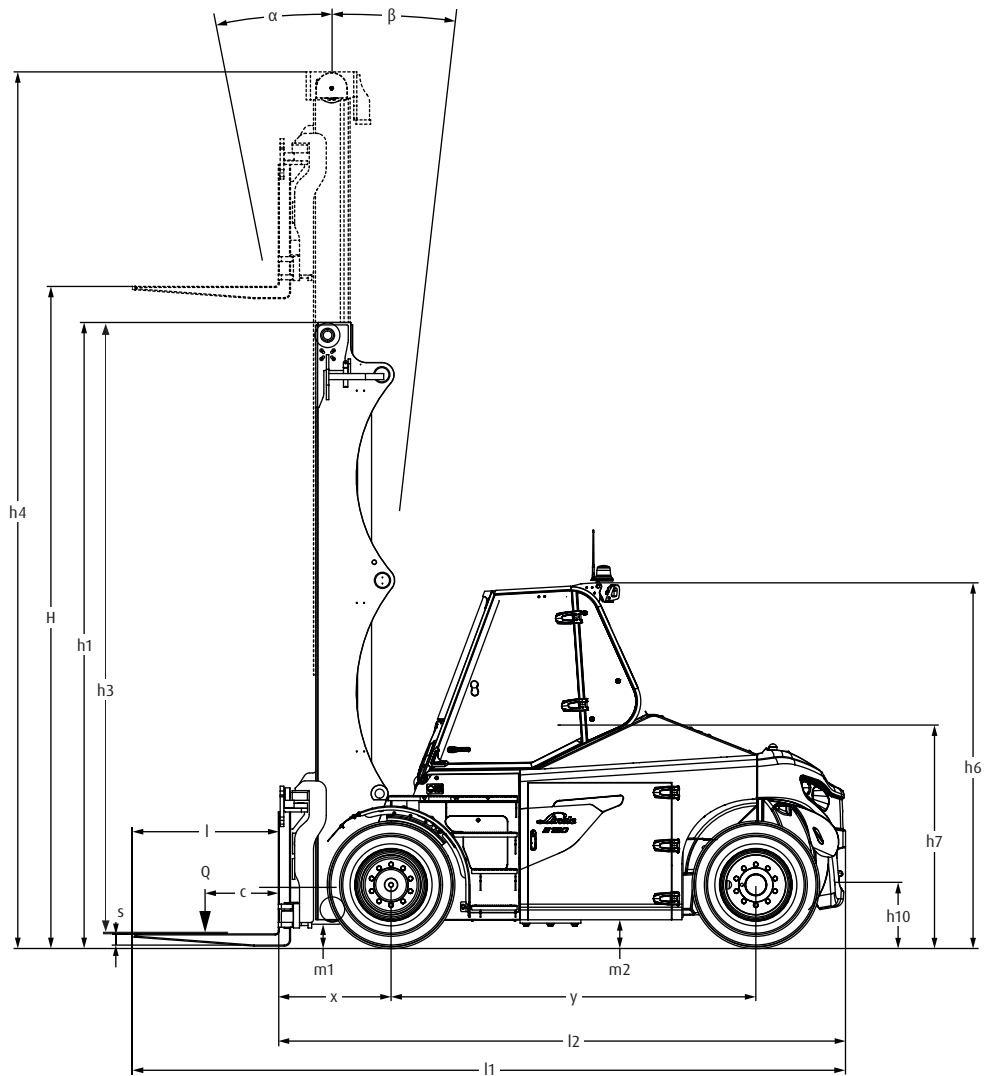
- 1) Tilt angle (foward) stops at 5°. Tilting to 15° is possible over second interlock
- 2) With 6" (150 mm) free lift
- 3) Ground clearance to chassis is 11.3" (287mm)
- 4) Linde Li-ION batteries fit small battery carrier only

E100 - E180 TECHNICAL DATA

Characteristics	1.1		LINDE	LINDE	LINDE	LINDE	LINDE	LINDE
	1.2		E180/900	E100/1200	E120/1200	E140/1200	E150/1200	E160/1200
	1.2a		1471	1471	1471	1471	1471	1471
	1.3		Battery	Battery	Battery	Battery	Battery	Battery
	1.4		Seat	Seat	Seat	Seat	Seat	Seat
	1.5	Q (lb)	39,000	22,000	26,000	30,000	33,000	35,000
	1.6	c (in)	36	48	48	48	48	48
	1.8	x (in)	36.6	34.8	34.8	36.6	36.6	36.6
	1.9	y (in)	138	118	128	128	138	138
Weights	2.1	lb	60,170	51,528	54,835	59,302	60,170	60,210
	2.2	lb	91,990 / 7,863	66,145 / 7,429	73,861 / 7,429	82,510 / 7,656	84,754 / 8,485	88,304 / 7,180
	2.3	lb	31,570 / 28,600	28,783 / 22,745	30,441 / 24,394	31,426 / 27,875	31,570 / 28,600	31,572 / 28,638
Wheels/Tires	3.1		Pneumatic / Solid Pneumatic	Pneumatic / Solid Pneumatic	Pneumatic / Solid Pneumatic	Pneumatic / Solid Pneumatic	Pneumatic / Solid Pneumatic	Pneumatic / Solid Pneumatic
	3.2		12.00 x 20 / 20 PR	12.00 x 20 / 20 PR	12.00 x 20 / 20 PR	12.00 x 20 / 20 PR	12.00 x 20 / 20 PR	12.00 x 20 / 20 PR
	3.3		12.00 x 20 / 20 PR	12.00 x 20 / 20 PR	12.00 x 20 / 20 PR	12.00 x 20 / 20 PR	12.00 x 20 / 20 PR	12.00 x 20 / 20 PR
	3.5		4x / 2	4x / 2	4x / 2	4x / 2	4x / 2	4x / 2
	3.6	b10 (in)	73.8	73.8	73.8	73.8	73.8	73.8
	3.7	b11 (in)	77.6	77.6	77.6	77.6	77.6	77.6
	Dimensions	4.1	α/β (°)	15 / 10 ¹⁾	15 / 10 ¹⁾	15 / 10 ¹⁾	15 / 10 ¹⁾	15 / 10 ¹⁾
4.2		h1 (in)	1471 ²⁾	1471 ²⁾	1471 ²⁾	1471 ²⁾	1471 ²⁾	1471 ²⁾
4.3		h2 (in)	5.9	5.9	5.9	5.9	5.9	5.9
4.4		h3 (in)	157.5	157.5	157.5	157.5	157.5	157.5
4.5		h4 (in)	222.9	222.9	222.9	222.9	222.9	222.9
4.7		h6 (in)	119.5	119.5	119.5	119.5	119.5	119.5
4.8		h7 (in)	78.9	78.9	78.9	78.9	78.9	78.9
4.12		h10 (in)	22.8	22.8	22.8	22.8	22.8	22.8
4.19		l1 (in)	282.1	275	288	295.9	305.8	305.8
4.20		l2 (in)	211.3	180.5	193.5	201.4	211.3	211.3
4.21		b1/b2 (in)	101.0 / 90.6	101.0 / 90.6	101.0 / 90.6	101.0 / 90.6	101.0 / 90.6	101.0 / 90.6
4.22		s / e / l (in)	4 x 10 x 72	4 x 8 x 96	4 x 8 x 96	4 x 10 x 96	4 x 10 x 96	4 x 10 x 96
4.23			Hyd. fork positioner	Hyd. fork positioner	Hyd. fork positioner	Hyd. fork positioner	Hyd. fork positioner	Hyd. fork positioner
4.24		b3 (in)	100.2	100.2	100.2	100.2	100.2	100.2
4.25		b5 (in)	28.4 / 90.2	24.4 / 87.4	24.4 / 87.4	28.4 / 90.2	28.4 / 90.2	28.4 / 90.2
4.31		m1 (in)	7.9 ³⁾	7.9 ³⁾	7.9 ³⁾	7.9 ³⁾	7.9 ³⁾	7.9 ³⁾
4.32	m2 (in)	14.8	14.8	14.8	14.8	14.8	14.8	
4.35	Wa (in)	187.2	161.5	170.8	177.6	187.2	187.2	
4.36	b13 (in)	57	53.6	55.3	55.3	57	57	
Performance	5.1	mph	11.2 / 12.4	11.2 / 12.4	11.2 / 12.4	11.2 / 12.4	11.2 / 12.4	11.2 / 12.4
	5.1	mph	14.3 / 15.5	14.3 / 15.5	14.3 / 15.5	14.3 / 15.5	14.3 / 15.5	14.3 / 15.5
	5.2	fpm	77 / 77	77 / 77	77 / 77	77 / 77	77 / 77	77 / 77
	5.3	fpm	98 / 96	98 / 96	98 / 96	98 / 96	98 / 96	98 / 96
	5.5	lbf	23,829	23,829	23,829	23,829	23,829	23,829
Drive	6.1	kW	4 x 18	4 x 18	4 x 18	4 x 18	4 x 18	4 x 18
	6.2	kW	4 x 25	3 x 25	3 x 25	4 x 25	4 x 25	4 x 25
	6.3	each	2x	2x	2x	2x	2x	2x
	6.4	lb	4,561 / 6,447	4,561 / 5,041	4,561 / 6,447	4,561 / 6,447	4,561 / 6,447	4,561 / 6,447
	6.5		B - 40" / DIN 640A	B - 40" / DIN 640A	B - 40" / DIN 640A	B - 40" / DIN 640A	B - 40" / DIN 640A	B - 40" / DIN 640A
	6.6a	X / Y / Z	40.5 x 39.3 x 30.9	40.5 x 39.3 x 30.9	40.5 x 39.3 x 30.9	40.5 x 39.3 x 30.9	40.5 x 39.3 x 30.9	40.5 x 39.3 x 30.9
	6.6b	X / Y / Z	50.7 x 40.8 x 30.9	Not applicable	50.7 x 40.8 x 30.9	50.7 x 40.8 x 30.9	50.7 x 40.8 x 30.9	50.7 x 40.8 x 30.9
	6.8a	Type / V / Ah	6PzS / 80V / 930Ah	6PzS / 80V / 930Ah	6PzS / 80V / 930Ah	6PzS / 80V / 930Ah	6PzS / 80V / 930Ah	6PzS / 80V / 930Ah
	6.8b	Type / V / Ah	8PzS / 80V/1240Ah	Not applicable	8PzS / 80V/1240Ah	8PzS / 80V/1240Ah	8PzS / 80V/1240Ah	8PzS / 80V/1240Ah
	6.9a	V / kWh	90V / 84 kWh	90V / 84 kWh	90V / 84 kWh	90V / 84 kWh	90V / 84 kWh	90V / 84 kWh
6.9b	V / kWh	90V / 126 kWh	90V / 126 kWh	90V / 126 kWh	90V / 126 kWh	90V / 126 kWh	90V / 126 kWh	
Others	10.1	psi	3,600	3,600	3,600	3,600	3,600	3,600
	10.2	gpm	34.3	34.3	34.3	34.3	34.3	34.3
	10.7	dB(A)	70	70	70	70	70	70
	10.8		Ø 2.0	Ø 2.0	Ø 2.0	Ø 2.0	Ø 2.0	Ø 2.0

- 1) Tilt angle (foward) stops at 5°. Tilting to 15° is possible over second interlock
- 2) With 6" (150 mm) free lift
- 3) Ground clearance to chassis is 11.3" (287mm)
- 4) Linde Li-IoN batteries fit small battery carrier only

E100 - E180 TECHNICAL DATA



MAST TABLES

E100/600

h3 (in)	Q (lb)						
≤ 276	22000	22000	22000	20700	19600	18600	17700
c (in)	24	28	32	36	40	44	48

E120/600

h3 (in)	Q (lb)						
≤ 276	26000	24700	23200	21900	20700	19600	18700
c (in)	24	28	32	36	40	44	48

E140/600

h3 (in)	Q (lb)						
276	27700	26000	24400	23100	21800	20700	19700
256	29300	27400	25800	24300	23000	21900	20800
≤ 236	30000	28900	27100	25600	24300	23000	21900
c (in)	24	28	32	36	40	44	48

E150/600

h3 (in)	Q (lb)						
276	29700	27800	26200	24700	23400	22200	21100
256	31400	29400	27600	26100	24700	23400	22300
≤ 236	33000	30900	29100	27700	26000	24700	23500
c (in)	24	28	32	36	40	44	48

E160/600

h3 (in)	Q (lb)						
276	31700	29700	27900	26400	25000	23700	22600
256	33500	31300	29500	27800	26300	25000	23800
≤ 236	35000	33000	31000	29300	27700	26300	25100
c (in)	24	28	32	36	40	44	48

E180/600

h3 (in)	Q (lb)						
276	35700	33400	31400	29700	28100	26700	25400
256	37600	35300	33200	31300	29600	28100	26800
≤ 236	39000	37100	34900	33000	31200	29600	28200
c (in)	24	28	32	36	40	44	48

E180/900

h3 (in)	Q (lb)						
276	35700	33800	32100	30600	29300	28000	26800
256	37600	35700	33900	32300	30900	29600	28300
≤ 236	39000	37600	35700	34000	32500	31100	29800
c (in)	36	40	44	48	52	56	60

E100/1200

h3 (in)	Q (lb)						
276	19800	18900	18100	17300	16600	16000	15400
256	20900	19900	19100	18300	17500	16800	16200
≤ 236	22000	21000	20100	19200	18400	17700	17100
c (in)	48	52	56	60	63	67	71

E120/1200

h3 (in)	Q (lb)						
276	23800	22700	21700	20800	19900	19200	18400
256	25100	23900	22900	21900	21300	20200	19500
≤ 236	26000	25200	24100	23100	22100	21300	20500
c (in)	48	52	56	60	63	67	71

E140/1200

h3 (in)	Q (lb)						
276	27700	26500	25300	24300	23300	22400	21600
256	29300	28000	26800	25600	24600	23700	22800
≤ 236	30000	29400	28200	27000	25900	24900	24000
c (in)	48	52	56	60	63	67	71

E150/1200

h3 (in)	Q (lb)						
276	29700	28400	27200	26000	25000	23800	22400
256	31400	30000	28700	27500	26400	25100	23700
≤ 236	33000	31500	30200	28900	27800	26400	24900
c (in)	48	52	56	60	63	67	71

E160/1200

h3 (in)	Q (lb)						
374	22900	21800	20800	19400	18200	17100	16200
276	31700	30300	28900	26900	25200	23800	22400
256	33500	32000	30500	28400	26700	25100	23700
≤ 236	35000	33600	32100	29900	28100	26400	24900
c (in)	48	52	56	60	63	67	71

CHARACTERISTICS



Best in class all-round visibility

Awareness

- Excellent all-round visibility guarantees safety when driving and lifting
- Armored glass roof facilitates precise load handling at high lift heights
- Glass doors provide side visibility and minimize the risk of accidents



Spacious and comfortable driver's work station

Ergonomics

- Ergonomic workplace with all-round visibility prevents tension and fatigue
- Precise driving behavior simplifies control with remarkable accuracy and ensures
- High level of driving comfort
- Low noise and vibration-free operation help to keep employees healthy and productive



Linde Twin-Pedal control for precise and efficient handling

Handling

- Most productive driving controls
- Precise steering for exact positioning
- Fast reaction time for all hydraulic operations
- Extremely precise handling
- Dynamic acceleration and outstanding load handling performance

Service

- Tilting cab facilitates access to central components and minimizes downtime
- Well-known standard components simplifies repairs
- Easy battery changes possible within a few minutes
- Battery system can be changed from lead-acid to lithium-ion without replacing additional hardware



MONTREAL (Head office)
19151 A, Cruickshank Avenue
Baie-D'Urfé (Québec) H9X 3N9
Phone: 418 694-4223
Toll free: 1 866 421-4223
info@elevex.ca
elevex.ca

QUEBEC
1279, Paul-Émile Giroux St. Suite 200
Québec (Québec) G1C 0K9

SAGUENAY
2305, Alexis-Le-Trotteur
St. Jonquière (Québec) G7X 9H8

