



Walkie-Straddle Truck

Capacity 2000lb. 2500lb. 3000lb.

EWS 10/12/14HD 24 volts

SERIES 1169

Performance

The 24-volt Walkie Straddle is a cost-effective way to handle your product efficiently with excellent maneuverability. With a high level of performance, even the most demanding applications are a good fit for the Electric Walkie Stacker.

Maintenance

All electric, electronic, and hydraulic components are conveniently mounted in the chassis. Accessibility is easy, even with the truck in the working aisle. These time and money saving details are appreciated by both the technician and operations manager.

Drive Motor

The EWS has a 24-volt AC enclosed motor, with few moving parts under the compartment. Excellent performance, dependability and low energy consumption are provided with the latest AC technology available. When you match the drive unit and fewer electrical connections, you have a dependable unit you can count on.

Linde Material Handling



Linde

Linde Controller

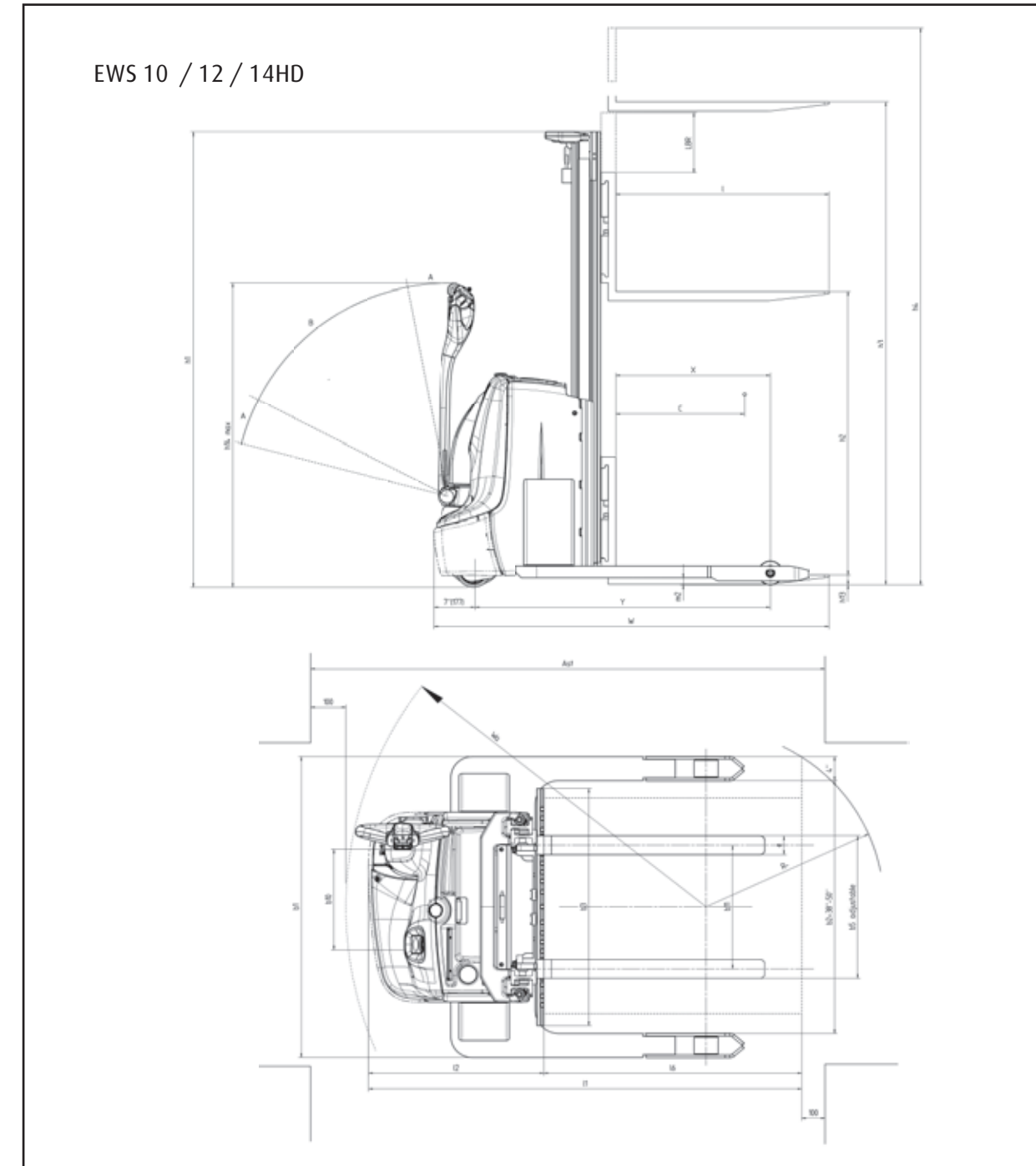
Maintenance-free ensures: efficient, infinite control from zero to creep speed, and up to maximum speed. The EWS accelerates and decelerates sensitively and smoothly. Less AMP draw relates to long run times between charge. The result, efficient maintenance-free components, ensures a dependable cost-effective answer to your material handling needs. The new stacker also includes an advanced torque range when operating in an uneven floor environment. An example would be large expansion joints, inclines or whenever extra torque is needed.

Technical data

April 2016 / Series 1169

EWS 10 / 12 / 14HD 24volts

Characteristics	Manufacturer		Linde		Linde		Linde		
	1.1	Model designation	EWS10 (24-volt)		EWS12 (24-volt)		EWS14HD (24-volt)		
1.2	Power unit: Electric, Diesel, LP, Other		Electric		Electric		Electric		
1.3	Operation: Walkie, Rider/Stand, Rider/Sit-down		Walkie		Walkie		Walkie		
1.4	Load capacity	lb (kg)	2,000 (907)		2,500 (1,133)		3,000 (1,360)		
1.5	Load center	LC in (mm)	24 (610)		24 (610)		24 (610)		
Weight	2.1	Weight, including minimum battery	lb (kg)	2,489 (1,130)	2,489 (1,130)		2,489 (1,130)		
	2.2	Axle load, with load front/rear	lb (kg)	1,718 (780) 2,731 (1,240)	1,718 (780) 3,271 (1,485)		1,729 (785) 3,789 (1,720)		
	2.3	Axle load, without load front/rear	lb (kg)	1,707 (775) 782 (355)	1,707 (775) 782 (355)		1,707 (775) 782 (355)		
Wheels & Tires	3.1	Tires front/rear (Poly or wet grip)		Poly or wet grip		Poly or wet grip		Poly or wet grip	
	3.2	Load wheels	in (mm)	4 x 2.9 (1,016 x 73)	4 x 2.9 (1,016 x 73)		4 x 2.9 (1,016 x 73)		
	3.3	Drive tire	in (mm)	9 x 3 (230 x 75)	9 x 3 (230 x 75)		9 x 3 (230 x 75)		
	3.4	Caster wheel	in (mm)	5.5 x 2.1 (140 x 54)	5.5 x 2.1 (140 x 54)		5.5 x 2.1 (140 x 54)		
Dimensions	4.1	Simple mast		See mast table		See mast table		See mast table	
	4.2	Triple mast		See mast table		See mast table		See mast table	
	4.3	Carriage, width	C in (mm)	31.5 (800)	31.5 (800)		31.5 (800)		
	4.4	Optional carriage, width	C in (mm)	39.5 (1,000)	39.5 (1,000)		39.5 (1,000)		
	4.5	Wheelbase	WB in (mm)	49 (1,245)	49 (1,245)		49 (1,245)		
	4.6	Load backrest height	LBR in (mm)	48 (1,219)	48 (1,219)		48 (1,219)		
	4.7	Total length	W in (mm)	71.4 (1,814)	71.4 (1,814)		71.4 (1,814)		
	4.8	Overall width (rear)	b1 in (mm)	51 (1,295)	51 (1,295)		51 (1,295)		
	4.9	Fork lowered height	h13 in (mm)	2.00 (50.8)	2.00 (50.8)		2.00 (50.8)		
	4.10	Fork dimensions, thickness/width/length	txlxw3 in (mm)	1.6 x 3.9 x 42 (40 x 100 x 1067)	1.6 x 3.9 x 42 (40 x 100 x 1067)		1.6 x 3.9 x 42 (40 x 100 x 1067)		
	4.11	Head length	L2 in (mm)	29.4 (747)	29.4 (747)		29.4 (747)		
	4.12	Ground clearance, under load outrigger	m2 in (mm)	1.2 (30.5)	1.2 (30.5)		1.2 (30.5)		
	4.13	Turning radius	wa in (mm)	59.9 (1,521)	59.9 (1,521)		59.9 (1,521)		
Performance	5.1	Travel speed, with/without load	mph (kmh)	3.7/3.7 (6.6/6.6)	3.7/3.7 (6.6/6.6)		3.7/3.7 (6.6/6.6)		
	5.2	Lifting speed, with/without load	fpm (mpm)	20/41 (6.1/12.5)	25/40 (7.62/12.49)		25/40 (7.62/12.49)		
	5.3	Lowering speed, with/without load	fpm (mpm)	70/42 (21/15)	70/42 (21/15)		70/42 (21/15)		
Drive	6.1	Steering		Manual		Manual		Manual	
	6.2	Brake system		Electromagnetic		Electromagnetic		Electromagnetic	
	6.3	Battery compartment	L x W x H in (mm)	9.25 x 25.75 x 24.8 (235 x 654 x 630)	9.25 x 25.75 x 24.8 (235 x 654 x 630)		9.25 x 25.75 x 24.8 (235 x 654 x 630)		
	6.4	Voltage	V	24	24		24		
	6.5	Amp hours, recommended	Ah	195	195		195		
	6.6	Battery weight (minimum)	lb (kg)	377 (171)	377 (171)		377 (171)		
6.7	Drive motor, 60 min rating	hp (kw)	1.6 (1.2)	1.6 (1.2)		1.6 (1.2)			
6.8	Pump motor, rating	hp (kw)	4.29 (3.2)	4.29 (3.2)		4.29 (3.2)			
6.9	Travel control		Linde AC		Linde AC		Linde AC		
6.10	Speed control		Infinitely variable		Infinitely variable		Infinitely variable		
6.11	Hydraulic control		Infinitely variable		Infinitely variable		Infinitely variable		



MAST INFORMATION EWS 10 / 12 / 14HD					
in (mm)	Maximum Collapsed Height h1	Maximum Fork Height h3	Free Lift Height h2	Overall Extended Height with LBR	Overall Extended Height w/o LBR
Simple	78.3 (1,988)	115 (2,921)	5.9 (150)	126 (3,200)	136 (3,454)
	86.2 (2,189)	31 (3,327)	5.9 (150)	163 (4,140)	158 (4,013)
	96 (3,779)	150 (3,810)	5.9 (150)	198 (5,029)	177 (4,496)
Triple	71.4 (1,813)	156 (3,962)	50.9 (1,289)	204 (5,192)	183 (4,648)
	75.3 (1,913)	168 (4,267)	54.9 (1,394)	217 (5,486)	95 (4,953)
	81.2 (2,062)	185 (4,714)	60.8 (1,544)	233 (5,918)	212 (5,385)

Features

Drive unit

A premium-sealed AC motor is provided to handle coolers or freezer applications. The master drive unit is located directly under the motor. Both main units have a proven track record of reliability.

Hydraulic system

The integral hydraulic power unit is self-contained to eliminate unnecessary oil lines and fittings. The seamless tank is mounted directly below the pump and motor for easy access.

Frame

The core components utilize heavy steel plates welded into a rigid unitized structure, resulting in a frame that will not distort under the most severe operating conditions. The EWS can handle the heaviest loads at a operating cost of a walkie, as compared to a rider truck.

Tru-view masts

A high-visibility mast with chrome plated pistons are standard. To resist deflection from off-center loading, a casting is used instead of fabricated steel. Castings for cross-bracing provides greater strength than fabricated steel. Sealed roller bearings are also used to ensure a maintenance-free mast.

Carriage

A standard hook-type carriage, constructed from alloy steel plates on large-load rollers.

Forks

Universal pallet forks. Class II hook-type mounting is standard.

Outriggers

The steel outriggers are available in a range of widths. For added service life, the load wheels are mounted in steel housings and protected by tapered, enclosed tips. The outriggers are welded into the mast support members as an integral part of the chassis.

Wheels and tires

A rubber drive tire and single-load wheels are standard.

Operator control

The Linde tiller arm on these pallet trucks and stackers combine both ergonomically smart and intuitive feel. The advanced material is a high-performance polymer chosen for the wide range of operating temperatures stackers might operate in. The truck's lifting and travel speeds are proportional. This means you have complete control of the load. All the truck's basic controls, lift, lower, and horn, can be operated effortlessly by either left- or right-handed operators. This can be accomplished

without removing their hands from the control handle. A reversing switch located at the end of the steering handle will automatically reverse the truck's travel direction if it comes in contact with an object.

Brakes

Auto Deceleration (ADS) and "plugging" are the main method for stopping the truck. Smooth, controlled braking is accomplished when the steering handle is in a vertical or horizontal position. When the control handle is released, a spring returns the handle to the vertical position which applies the brake and cuts travel power.

Battery compartment

No valves, oil lines, fittings, or electrical components are located under the chassis or battery.

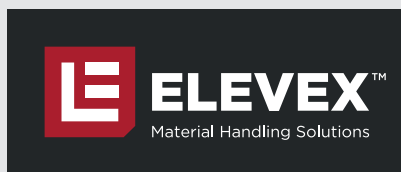
Standard equipment

- Linde Transistor Controller
- 24-volt AC electrical system
- Non-articulating drive unit
- Electromagnetic disc brake with power cutoff
- Key switch
- 48" load backrest
- 42" forks
- 4" x 2.9" single load wheels
- 9" x 3" rubber drive tire
- Safety spring return handle
- Impact resistant covers
- Plexi-glass
- SB175 red connector (24V)
- Battery discharge indicator with lift interrupt (24V)
- Porportional lift and travel
- Stability caster

Optional equipment

- Travel/Backup alarm (forks first travel)
- Travel/Backup flashing lights
- Cold storage protection
- Tandem load wheels
- 3-stage full freelif options
- Wire mesh mast screen
- Pin code access

Check with dealer/factory for additional equipment availability.



MONTREAL (Head office)

19151 A, Cruickshank Avenue
Baie-D'Urfé (Québec) H9X 3N9
Phone: 418 694-4223
Toll free: 1 866 421-4223
info@elevex.ca
elevex.ca

QUEBEC

1279, Paul-Émile Giroux St. Suite
200 Québec (Québec) G1C 0K9

SAGUENAY

2305, Alexis-Le-Trotteur
St. Jonquière (Québec) G7X 9H8

Linde Material Handling



ANSI: Standard truck meets all applicable mandatory requirements of ANSI/ITSDF B56.1 standards for powered industrial trucks.
NOTE: Performance data may vary due to motor and system efficiency tolerances. The performance depicted represents nominal values obtained under typical operating conditions. Metric dimensions are in millimeters unless otherwise specified. All metric dimensions are not direct equivalents due to rounding data. The descriptions and specifications included on this data sheet were in effect at the time of printing. Linde Material Handling North America Corporation reserves the right to make improvements and changes in specification or design without incurring obligation. Please check with your authorized Linde dealer for information on possible updates or revisions.

Linde_spec_1169_02/2016
USA_v1_0720d