



## **ELECTRIC CENTER RIDE TOW TRACTOR ETR 50 / 75**

**10,000 / 15,000 LBS. Towing Capacity**

Series 1103

- Compact footprint with responsive steering allows precise maneuvering in tight spaces
- Comfort suspension system offers a smooth ride and large operating compartment reduces operator fatigue
- AC componentry delivers responsive acceleration braking and travel speeds with powerful 4.0 kw motor
- Suitable for many types of couplings and connection mounts
- Full access to all of the trucks main components by removal of a one piece durable cover

# STANDARD & OPTIONAL EQUIPMENT

## STANDARD

- AC drive motor
- Manual steering with tilt column
- Regenerative braking
- Operator presence switch
- Rubber, anti-fatigue mat
- Horn / Key switch
- Knee pad
- Lean-on seat
- On-board diagnostics
- Sealed harness connectors
- Multifunction dash display
- UL "E"

## OPTIONAL

- Direct electric steering
- Drive tire and load wheel options
- Battery compartment rollers
- Storage tray
- Shrink wrap holder
- Easy pick system
- Cold storage / corrosion protection
- Travel / back-up alarm
- Travel / back-up flashing lights
- Front work light
- BlueSpot™
- UL "EE" rating
- Keyless On / Off
- Fold-down step for added reach
- Towing: Automatic, pintle, eye, pin
- Heavy-duty stability castors





# ETR 50 / 75 TECHNICAL DATA

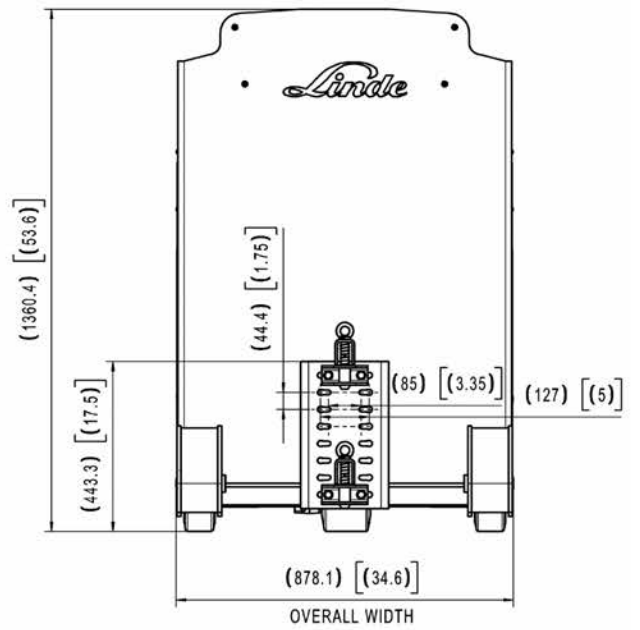
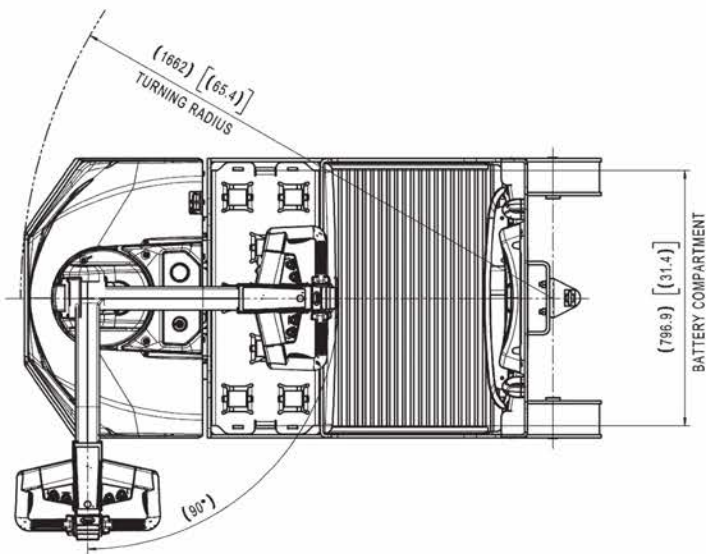
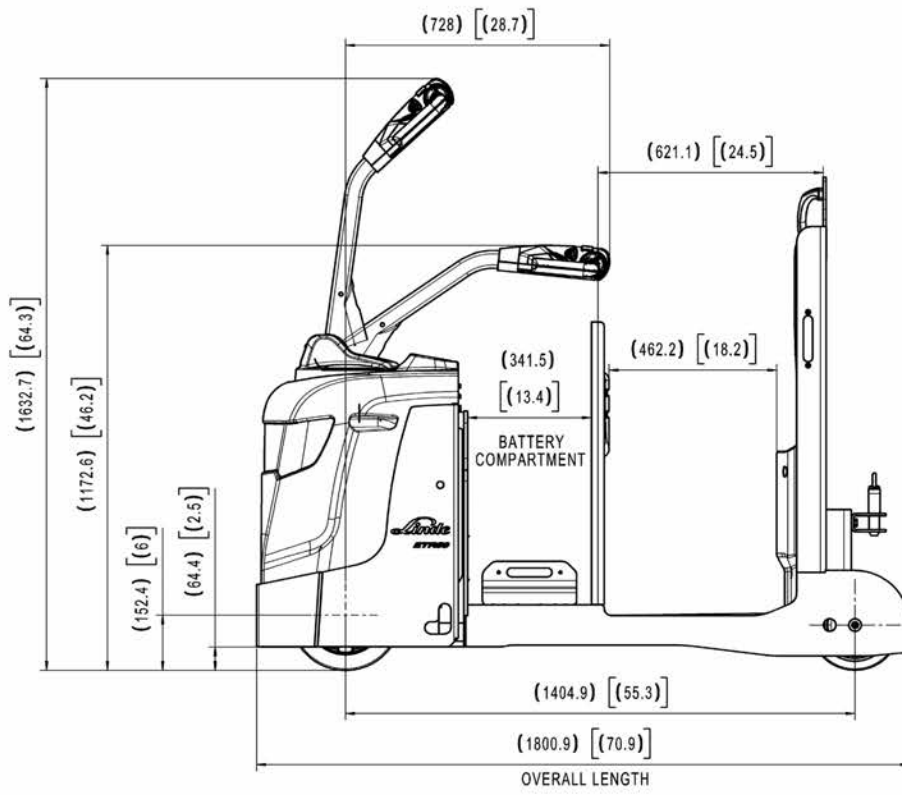
October 2020

					LINDE		
					ETR 50 / 75 (Manual & Electric Steering)		
Characteristics	1.1	Manufacturer					
	1.2	Model designation					
	1.3	Drive					Electric
	1.4	Operator type					Stand on
	1.5.1	Trailing load		lbs	kg	10000 / 15000	4535 / 6804
	1.9	Wheelbase	Y	in	mm	55.3	1404.9
Weights	2.1	Service weight, w/o battery/with min battery (+/- 5.0%)		lbs	kg	1595 / 2495	724 / 1133
	2.3	Axle loading, with/without load		lbs	kg	1200 / 1200	544 / 544
	3.1	Tire type, front / rear				Rubber / Rubber	
	3.2	Drive tire size, front		in	mm	12 x 5 x 8	305 x 127 x 203
	3.3	Load wheel size, rear		in	mm	2 / 9.8 x 3.2 x 6.9	2 / 250 x 80 x 175
	3.5	Wheels, number front / rear (X=driven)		in	mm	1 x / 2	
Dimensions	4.1	Coupling height	h10	in	mm	4 - 16.2	101 - 412
	4.2	Overall length	l1	in	mm	70.9	1800.9
	4.3	Overall width	b1/b2	in	mm	34.57	878.1
	4.4	Ground clearance, center of wheel base	m2	in	mm	2.75	69.9
	4.5	Turning radius	Wa	in	mm	65.43	1662
	4.6	Platform height		in	mm	6.25	158.8
	4.9	Height of steering in driving position		in	mm	43.63	1108
Performance	5.1	Travel speed, with load		mph	km/h	5 / 4.7	8 / 7.5
	5.1.1	Travel speed, without load		mph	km/h	9.5	15.3
	5.5	Drawbar pull, with load		lbs	N	200 / 300	890 / 1334
	5.6	Max drawbar pull load		lbs	N	750 / 1000	3336 / 4448
	5.8	Gradeability, with load			%	5	
	5.10	Service brake				Electric	
Drive	6.1	Drive motor, rating 60 min		hp	kW	5.4	4.0
	6.4	Battery voltage			V	24	
	6.5	Battery weight, min. / max.		lbs	kg	900 / 1500	408 / 680
	8.1	Type of drive controls				AC	

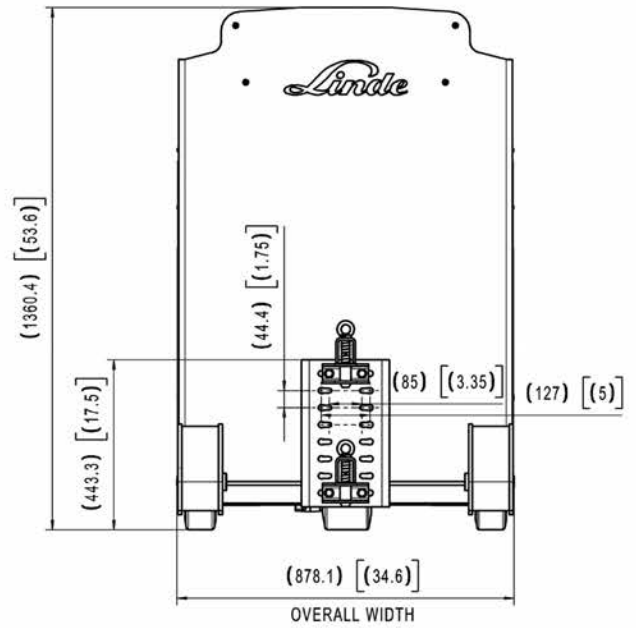
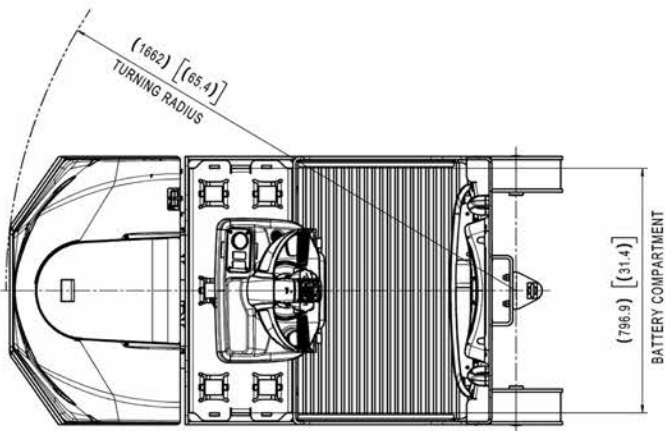
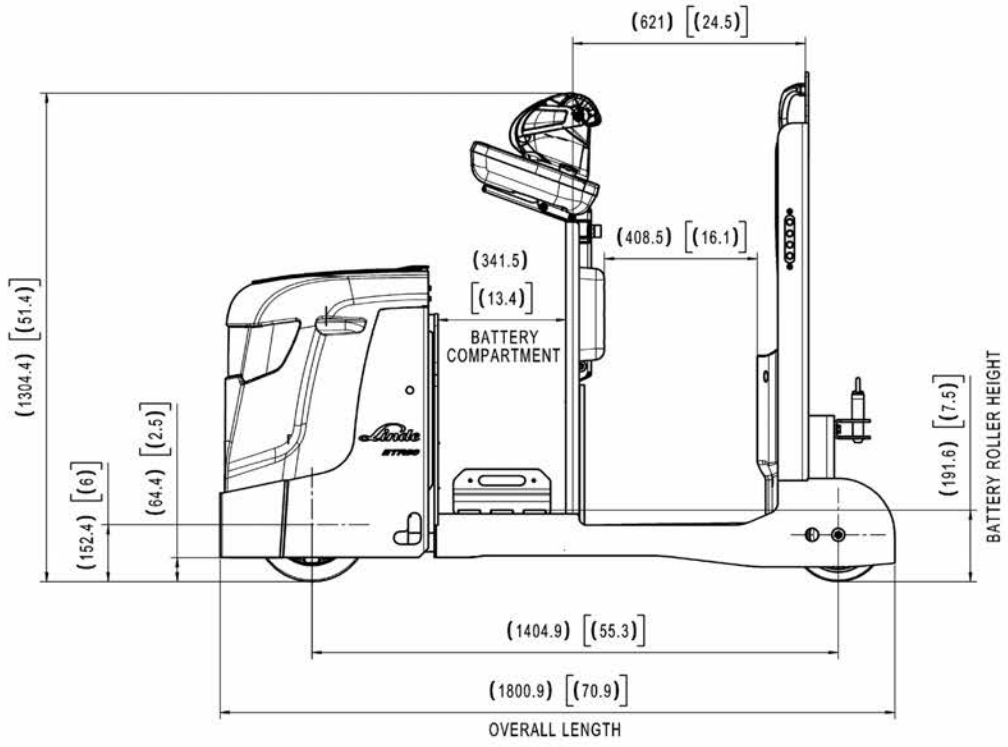
NOTICE: Products are subject to change without notice. Our products are continuously being improved, all conditions, terms, and specifications are subject to change at any time.

BATTERY SPECIFICATIONS WITHOUT ROLLERS AND CONVENIENCE TRAY								
Voltage	Position	Lead Length	Connector	Compartment Size	Battery Size			Min. / Max Weight Required
					"x" (width)	"y" (length)	"z" (height)	
				X x Y x Z (in)	in.	in.	in.	lbs. (kg)
24	B	21"	SB 175 Red	31.4 x 13.4 x 32.4	31.2"	13.2"	32.1"	900-1500 (408-680)

NOTICE: See battery selection guide for more information when ordering rollers or convenience tray



\*Refer to Technical Data Chart



\*Refer to Technical Data Chart

# FEATURES



## Linde Series 1103 Five Features

- **Motor Compartment Cover:** The Series 1103 features a one-piece, lift off motor compartment cover. In addition to its resistance to rust and corrosion, these thermosetting resin covers offer superior impact strength, durability, and lifelong proper fit. The same rugged material is used today by most large construction machinery OEM's.
- **Operator controls:** The operator control handle features a heavy-duty cast design / steel poly construction. Soft-touch accelerator twist grips govern travel direction and speed, and also features automatic return to neutral.
- **Drive Motor:** The Series 1103 features a 24-volt, high power, AC drive motor. This high performance motor allows for maximum productivity and excellent reliability. Extended maintenance intervals for motors and complete drive systems are a direct result of this new AC technology.
- **Frame:** Truck frames feature fixed platform height and all seam-welded unitized construction. Plate steel contoured to shape for rigid strength provides maximum durability and protection for all vital components. The battery's own compartment is an integral part of the chassis, further adding strength to the frame.
- **Travel Control:** The AC motor controller provides exceptional flexibility by providing user tailored parameters to meet a wide variety of application requirements. The controller provides efficient use of battery voltage and has an extremely wide torque and speed range. In addition, full regeneration capability, smooth low speed control, and zero speed ramp hold applications are realized. Environmental protection is enhanced by the robust construction of the controller and the use of sealed wiring harness connectors to prevent moisture and contaminants from interrupting truck operation in all environments.



Linde Material Handling  
**Linde**  
 KION NORTH AMERICA

ANSI: Standard truck meets all applicable mandatory requirements of ANSI/ITSDF B56.1 standards for powered industrial trucks. KION North America Corporation reserves the right to make improvements and changes in specification or design without notice and without incurring obligation. Please check with your authorized Linde dealer for information on possible updates or revisions. The descriptions and specifications included on this data sheet were in effect at the time of printing. KION North America Corporation reserves the right to make improvements and changes in specification or design without notice and without incurring obligation. Please check with your authorized Linde dealer for information on possible updates or revisions.



**ELEVEX™**  
 Material Handling Solutions

**MONTREAL (Head office)**  
 19151 A, Cruickshank Avenue  
 Baie-D'Urfé (Québec) H9X 3N9  
 Phone: 418 694-4223  
 Toll free: 1 866 421-4223  
[info@elevex.ca](mailto:info@elevex.ca)  
[elevex.ca](http://elevex.ca)

**QUEBEC**  
 1279, Paul-Émile Giroux St. Suite 200  
 Québec (Québec) G1C 0K9

**SAGUENAY**  
 2305, Alexis-Le-Trotteur  
 St. Jonquière (Québec) G7X 9H8

