



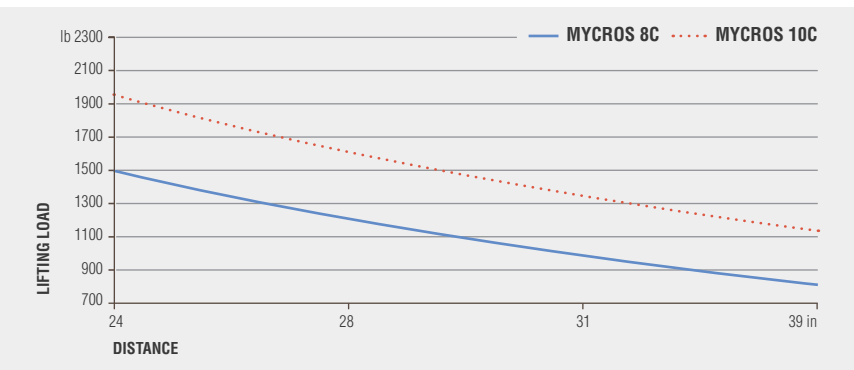
**MYCROS 8C-10C RWD / FWD / AWD**

- Traction: rear, front or all wheel
- Voltage 36V
- AC traction and pump motors
- Electronic Lift Control
- Cushion tires
- Power Steering
- Integrated side-shift
- Lift height from 114" to 224"
- Curve Speed Control (CSC)
- Right Angle Stack 104.5"

**MAST DETAILS MYCROS 8C-10C**

| HEIGHT                 |          | STANDARD INCL. SIDE-SHIFT |       |       |       | DUPLEX INCL. SIDE-SHIFT |       |       |       | TRIPLEX INCL. SIDE-SHIFT |       |       |
|------------------------|----------|---------------------------|-------|-------|-------|-------------------------|-------|-------|-------|--------------------------|-------|-------|
|                        |          |                           |       |       |       |                         |       |       |       |                          |       |       |
| Lift height            | $h_{23}$ | 114                       | 126   | 150   | 165   | 114                     | 126   | 150   | 165   | 171                      | 189   | 224   |
| Closed mast height     | $h_1$    | 76.4                      | 82.4  | 94.2  | 102   | 76.4                    | 82.4  | 94.2  | 102   | 76.4                     | 82.4  | 94.2  |
| Height mast extended * | $h_4$    | 153.9                     | 165.9 | 189.5 | 205.3 | 153.9                   | 165.9 | 189.5 | 205.3 | 210.7                    | 228.7 | 264.2 |
| Free lift              | $h_2$    | -                         | -     | -     | -     | 58.2                    | 64.2  | 76    | 83.9  | 58.2                     | 64.2  | 76    |
| Overall width RWD      | $b_1$    | 32.9                      |       | 35.4  |       | 32.9                    |       | 35.4  |       | 36.6                     |       |       |
| Overall width FWD-AWD  | $b_1$    | 34.3                      |       |       |       | 34.3                    |       |       |       | 37.8                     |       |       |

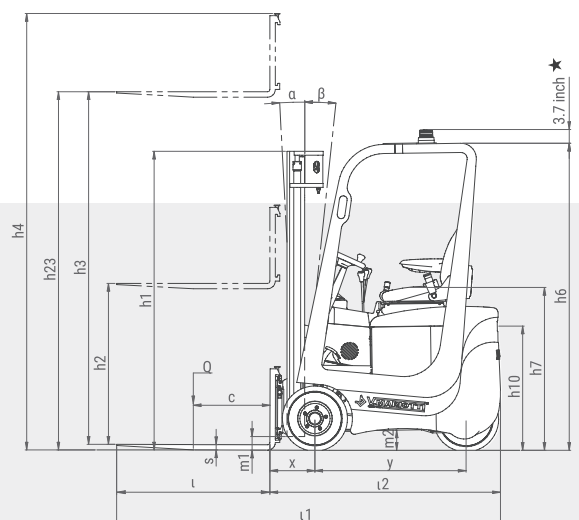
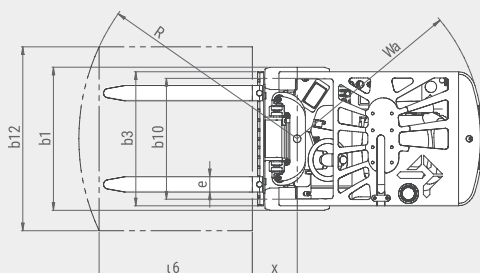
\* With Backrest



Data showed are not binding and are liable to variations.  
The constructor reserves the right of changes without notice.

★ On demand installation of the strobo light under the height of the overhead guard **h6**

Non-standard tyres, different masts, optional equipment, etc. may result in different values.



|                 | 1.1           | Manufacturer   |   |    | V.MARIOTTI S.r.l. |                |                 | V.MARIOTTI S.r.l. |                 |                |             |
|-----------------|---------------|--|---|----|-------------------|----------------|-----------------|-------------------|-----------------|----------------|-------------|
|                 | 1.2           | Model  |   |    | MYCROS 8C RWD     | MYCROS 8C FWD  | MYCROS 8C AWD   | MYCROS 10C RWD    | MYCROS 10C FWD  | MYCROS 10C AWD |             |
| CHARACTERISTICS | 1.3           | Type of drive  |   |    | electric          | electric       | electric        | electric          | electric        | electric       |             |
|                 | 1.4           | Operator type  |   |    | driver sitting    | driver sitting | driver sitting  | driver sitting    | driver sitting  | driver sitting |             |
|                 | 1.5           | Load capacity/rated load                                   | Q   | lb | 1500              | 1500           | 1500            | 1950              | 1950            | 1950           |             |
|                 | 1.6           | Load centre distance                                       | c   | in | 24                | 24             | 24              | 24                | 24              | 24             |             |
|                 | 1.8           | Load distance  | x   | in | 9.8 ●             | 9.8 ●          | 9.8 ●           | 9.8 ●             | 9.8 ●           | 9.8 ●          |             |
|                 | 1.9           | Wheel base min / max (adjustable)                          | y   | in | 34.5 / 38         | 34.5 / 38      | 34.5 / 38       | 34.5 / 38         | 34.5 / 38       | 34.5 / 38      |             |
|                 | WEIGHTS       | 2.1  | Net weight incl. battery (see row 6.5)      |    |                   | 4034 ■         | 4321 ■          | 4365 ■            | 4519 ■          | 4960 ■         | 5004 ■      |
|                 |               | 2.2  | Axle load. with load. front / rear          |    |                   | 4960 / 838     | 5225 / 860      | 5225 / 904        | 5820 / 904      | 6283 / 882     | 6239 / 970  |
|                 |               | 2.3  | Axle load. without load. front / rear       |    |                   | 1984 / 2050    | 2138 / 2183     | 2138 / 2227       | 2094 / 2425     | 2183 / 2778    | 2183 / 2822 |
| WHEELS          | 3.1           | Tires: Solid pneumatic (SE). Cushion (V)                   |   |    | V                 | V              | V               | V                 | V               | V              |             |
|                 | 3.2           | Tire size front  |   |    | 13.5x4.5x8 □      | 13.5x4.5x8 □   | 13.5x4.5x8 □    | 13.5x4.5x8 □      | 13.5x4.5x8 □    | 13.5x4.5x8 □   |             |
|                 | 3.3           | Tire size rear   |   |    | 13.5x5.5x8        | 13.5x5.5x8     | 13.5x5.5x8      | 13.5x5.5x8        | 13.5x5.5x8      | 13.5x5.5x8     |             |
|                 | 3.5           | Wheels. number front/rear (◆ = driven wheels)              |   |    | 2 / 1 ◆           | 2 ◆ / 1        | 2 ◆ / 1 ◆       | 2 / 1 ◆           | 2 ◆ / 1         | 2 ◆ / 1 ◆      |             |
|                 | 3.6           | Track width. front   | b <sub>10</sub>                             | in | 28.4              | 29.8           | 29.8            | 28.4              | 29.8            | 29.8           |             |
|                 | DIMENSIONS    | 4.1  | Tilt of mast/fork carriage forward/backward |    |                   | α/β            | <°              | 2° 30' / 6°       | 2° 30' / 6°     | 2° 30' / 6°    | 2° 30' / 6° |
| 4.2             |               | Closed mast height   |   |    | h <sub>1</sub>    | in             | 82.4            | 82.4              | 82.4            | 82.4           |             |
| 4.3             |               | Free lift  |   |    | h <sub>2</sub>    | in             | \               | \                 | \               | \              |             |
| 4.4             |               | forks lifting  |   |    | h <sub>3</sub>    | in             | 124.8           | 124.8             | 124.8           | 124.8          | 124.8       |
|                 |               | Lifting height   |   |    | h <sub>23</sub>   | in             | 126             | 126               | 126             | 126            | 126         |
| 4.5             |               | Height mast extended                                       |   |    | h <sub>4</sub>    | in             | 145.8           | 145.8             | 145.8           | 145.8          |             |
| 4.7             |               | Height of overhead guard                                   |   |    | h <sub>5</sub>    | in             | 76.8            | 76.8              | 76.8            | 76.8           |             |
| 4.8             |               | Seat height  |   |    | h <sub>7</sub>    | in             | 37.4            | 37.4              | 37.4            | 37.4           |             |
| 4.12            |               | Coupling height  |   |    | h <sub>10</sub>   |                | 28.5            | 28.5              | 28.5            | 28.5           |             |
| 4.19            |               | Overall length   |   |    | l <sub>1</sub>    |                | 92.4            | 92.4              | 92.4            | 92.4           |             |
| 4.20            |               | Length including back of forks                             |   |    | l <sub>2</sub>    | in             | 52.9 ●          | 52.9 ●            | 52.9 ●          | 52.9 ●         |             |
| 4.21            |               | Overall width  |   |    | b <sub>1</sub>    | in             | 32.9            | 34.3              | 34.3            | 32.9           |             |
| 4.22            |               | Fork dimensions  |   |    | s/e/l             | in             | 1.2x3.1x39      | 1.2x3.1x39        | 1.2x3.1x39      | 1.2x3.1x39     | 1.2x3.1x39  |
| 4.23            |               | Forks carriage ISO 2328. Class/form A. B                   |   |    |                   |                | ISO II/A        | ISO II/A          | ISO II/A        | ISO II/A       |             |
| 4.24            |               | Forks carriage width                                       |   |    | b <sub>3</sub>    | in             | 32.7            | 32.7              | 32.7            | 32.7           |             |
| 4.31            |               | Floor clearance with load under mast                       |   |    | m <sub>1</sub>    | in             | 2.6             | 2.6               | 2.6             | 2.6            |             |
| 4.32            |               | Floor clearance centre wheelbase                           |   |    | m <sub>2</sub>    | in             | 3.7             | 3.7               | 3.7             | 3.7            |             |
| 4.34            |               | Right Angle Stack (for a 40" wide by 48" long pallet load) |   |    |                   | in             | 104.5           | 104.5             | 104.5           | 104.5          |             |
| 4.35            |               | Turning radius   |   |    | W <sub>3</sub>    | in             | 43.2 ▲          | 43.2 ▲            | 43.2 ▲          | 43.2 ▲         |             |
| PERFORMANCE     |               | 5.1  | Driving speed with/without load             |    |                   |                | mph             | 4.7 / 5           | 4.8 / 5         | 4.8 / 5        | 4.7 / 5     |
|                 | 5.2           | Lift speed with/without load                               |   |    |                   | fpm            | 59.1 / 74.8     | 59.1 / 74.8       | 59.1 / 74.8     | 57.1 / 74.8    |             |
|                 | 5.3           | Lowering speed with/without load                           |   |    |                   | fpm            | 66.9 / 51.2     | 66.9 / 51.2       | 66.9 / 51.2     | 68.9 / 51.2    |             |
|                 | 5.6           | Max. drawbar pull. with/without load                       |   |    |                   | lb             | 405 / 438       | 674 / 787         | 674 / 787       | 382 / 416      |             |
|                 | 5.7           | Gradeability. with/without load                            |   |    |                   | %              | 13 / 18         | 18 / 20           | 18 / 20         | 10 / 18        |             |
|                 | 5.8           | Max Gradeability. with/without load                        |   |    |                   | %              | 20 / 25         | 22 / 25           | 22 / 25         | 18 / 24        |             |
| 5.10            | Service brake |  |   |    |                   | hydraulic      | hydraulic       | hydraulic         | hydraulic       | hydraulic      |             |
| ELECTRIC SYSTEM | 6.1           | Drive motor rating S2 60 min.                              |   |    |                   | kW             | 3.5             | 3.5 x 2           | 3.5 x 3         | 3.5            |             |
|                 | 6.2           | Lift motor rating at S3 20%                                |   |    |                   | kW             | 6.5             | 6.5               | 6.5             | 6.5            |             |
|                 | 6.4           | Battery voltage/nominal capacity K5                        |   |    |                   | V/Ah           | 36/270 - 36/375 | 36/315 - 36/375   | 36/315 - 36/375 | 36/375         |             |
|                 | 6.5           | Battery weight   |   |    |                   | lb             | 794 ■ - 1014    | 904 ■ - 1014      | 904 ■ - 1014    | 1014 ■         |             |
|                 | 8.1           | Type of drive control                                      |   |    | yes/no            |                | AC MOSFET       | AC MOSFET         | AC MOSFET       | AC MOSFET      |             |
| OTHER           | 8.2           | Working pressure for attachments                           |   |    |                   | psi            | 1813            | 1813              | 1813            | 2248           |             |
|                 | 8.4           | Sound pressure level at operator's ear                     |   |    |                   |                | -               | -                 | -               | -              |             |

- ▲ with mast in vertical position
- included side-shift
- with triplex mast: 14x5.5x8

Non-standard tires, different masts, optional equipment, etc. may result in different values.  
Right Angle Stack and Equal Intersecting Aisle dimensions (provided with a 48" long and 40" wide pallet load) allowing zero clearance.



**MONTREAL (Head office)**  
19151 A, Crickshank Avenue  
Baie-D'Urfé (Québec) H9X 3N9  
Phone: 418 694-4223  
Toll free: 1 866 421-4223  
info@elevex.ca | elevex.ca

**QUEBEC**  
1279, Paul-Émile Giroux St. Suite  
200 Québec (Québec) G1C 0K9

**SAGUENAY**  
2305, Alexis-Le-Trotteur  
St. Jonquière (Québec) G7X 9H8

