



NOBLELIFT
Material Handling

EDGE
EDGE



PSE12N SL STRADDLE STACKER

Li-ion Powered 2600lbs/1200kg , Lift height: up to 142inch/3.6m.



ELEVEX™
Material Handling Solutions

PSE12N SL

The EDGE Smart Design Pallet Stackers

PSE12N SL

- 2600lbs/1200kg Capacity **Li-ion**
- Perfect for light-duty applications
- Compact & light service weight
- High maneuverability
- Fast-charging Li-ion batteries
- Integrated on-board 25A charger
- Ideal for use on mezzanines
- Ultimate solution for light duty operations

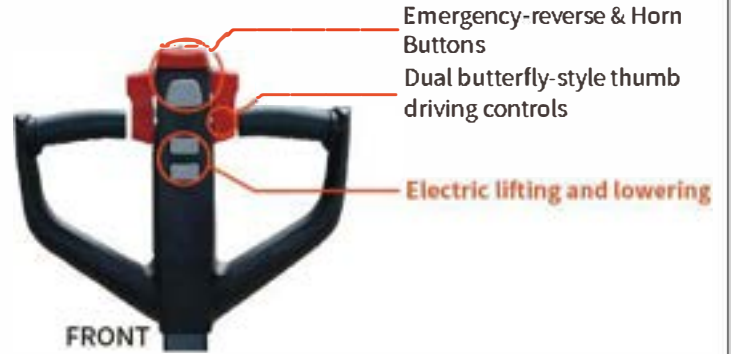
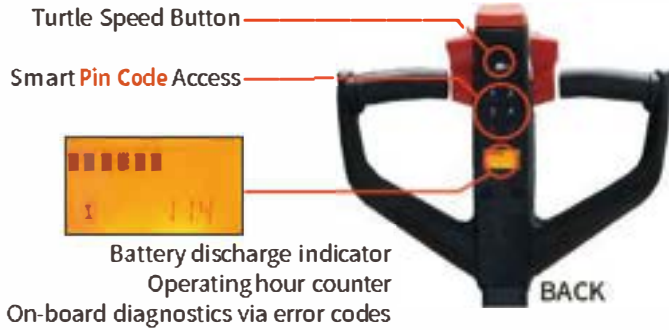
DC 24V



ELEVEX™
Material Handling Solutions

Smart and Ergonomic Tillers

Standard For PSE26N SL



RFID card Access

RFID Card Access is standard for PSE26N SL

RFID card provides faster access to equipment and is ideal for applications when one truck needs to be used by different operators



Vertical Driving in Confined Space



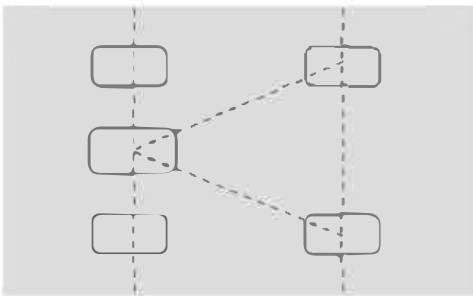
The ability to operate the unit with the tiller in the upright position allows working in confined spaces.

The tiller bar is supported by the air spring which helps to return the tiller to its vertical position without impact.

For increase of operation comfort and safety the trucks are equipped with speed reduction in turns.



Great stability and safety with its 3-point structure design



Chassis with 3+2-point structure: 1x+2/2

- The drive wheel is located in the middle for better traction and stability of the stacker.
- The support wheels with suspension are located from left and right sides and provide better lateral stability to the truck.
- Straddle legs are equipped with single rollers.

Robustness and Performance



Steel cover

The main cover is made out of steel with thickness 2.0mm



Tiller is made of fiber glass material for high strength.

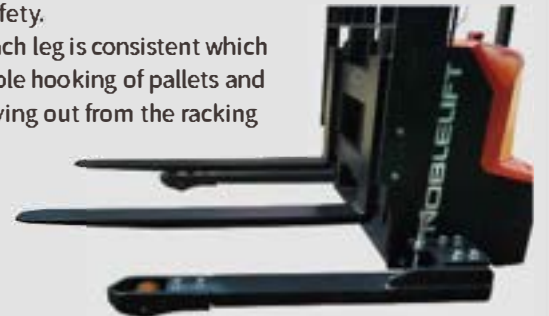
Capacity of 2600lbs with high residual value at maximum height (load center distance 23.6")

Real mast profiles are used for long life-time, no cheap bended solutions used. All directed to maintain performance of the truck during its life-cycle.



Support legs are made out of solid steel (not tube) to have enough rigidity to ensure the stability and safety.

The width of each leg is consistent which prevents possible hooking of pallets and racks when driving out from the racking system.



Maintenance Friendly

Convenient and fast access to any component of the truck, no elements are located in areas difficult to reach. No Special tools are required.



Adjustment of suspension



Perfect Observation



Wide mast provides perfect observation of forks, the field of view is clear and not interrupted by mast sections, cylinder or chains.



The operator can always clearly see the forks which significantly increases safety of operation.

Support legs and forks

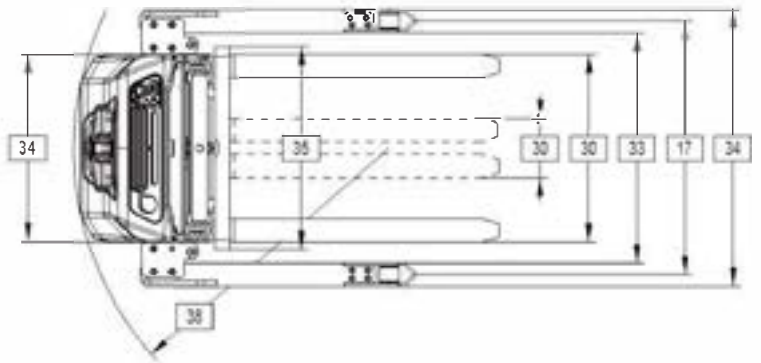
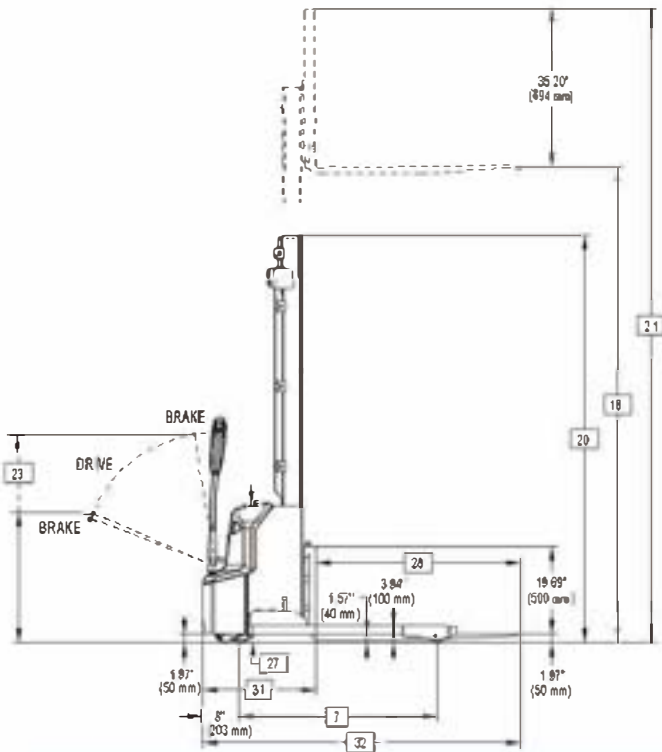


The support legs are fixed with screws located outside of the truck's body (4 screws for each side). The position can be easily adjusted according to the customer's needs to achieve the overall width of the truck: 46.5" / 50.5" / 54.5" / 58.3".

Forged forks are supplied for long life. Width of forks is adjustable 9.9-31.5". The truck is equipped with LBR (load back rest) as standard equipment.



ELEVEX™
Material Handling Solutions



Mast table PSE 26NSL

Lift Height		in	63	79	102	114	126	142
Collapsed Height		in	76.38	92.13	70.47	76.38	82.28	90.16
Extended Height	w/o Load Backrest	in	82.68	98.43	122.05	133.86	145.67	161.42
	w/ Load Backrest	in	98.19	113.94	137.56	149.37	161.18	176.93

Mast table PSE 12NSL

Lift Height		mm	1600	2000	2600	2900	3200	3600
Collapsed Height		mm	1940	2340	1790	1940	2090	2290
Extended Height	w/o Load Backrest	mm	2100	2500	3100	3400	3700	4100
	w/ Load Backrest	mm	2494	2894	3494	3794	4094	4494



PSE26N SL

24V 60Ah Lithium LiFePO4 battery with BMS. Lithium battery has connection terminals with screws and located inside the steel case



For PSE26N SL the charger with current 25A is used. The standard charging time is 2.5 hours. Opportunity charging is supported.

The **PSE26N SL** stacker is equipped with maintenance-free 24V/60Ah LiFePO4 type Li-ion battery with fast charging and ultra-high number of charging /discharging cycles during life time; opportunity charging feature basically does not limit your operation time. The integrated BMS provides the same features as the BMS for the batteries of pallet trucks (refer to pallet truck section). The on-board charger with 25A current can provide full charge for less than 2.5 hours with great efficiency.



Type sheet for industrial truck acc. to VDI2198 (1KG=2.2LB 1INCH=25.4MM)

				Imperial				Metric							
General Information															
2	Model			PSE26NSL				PSE12NSL							
	Mast Type	in mm		63	79	102	114	126	142	1600	2000	2600	2900	3200	3600
3	Power							Electric							
4	Operator Type							Walkie							
5	Load Capacity	lb kg		2600				1200							
6	Load Center	in mm		24				600							
7	Wheelbase	in mm		43.74				1111							
8	Weight Less Battery	lb kg		1421	1466	1587	1609	1631	1675	645	665	720	730	740	760
Tires															
13	Wheel Size Front (d x w)	in mm		8.27 x 2.76				210 x 70							
14	Wheel Size Rear (d x w)	in mm		3.31 x 2.76				84 x 70							
15	Additional Wheels/Caster Wheel (d x w)	in mm		3.94 x 1.57				100 x 40							
16	Wheels Number (x = driven)	Front / Rear						1x + 2 / 2							
17	Track Width	in mm		Inside Straddle + 3.94				Inside Straddle + 100							
Dimensions															
18	Lift Height	in mm		63	79	102	114	126	142	1600	2000	2600	2900	3200	3600
20	Collapsed Height	in mm		76.38	92.13	70.47	76.38	82.28	90.16	1940	2340	1790	1940	2090	2290
21	Extended Height	w/o Load Backrest	in mm	82.68	98.43	122.05	133.86	145.67	161.42	2100	2500	3100	3400	3700	4100
		w/ Load Backrest	in mm	98.19	113.94	137.56	149.37	161.18	176.93	2494	2894	3494	3794	4094	4494
23	Tiller Arm Height in Drive Position	in mm		27.95 / 45.28				710 / 1150							
24	Outrigger Height	in mm		3.94				100							
25	Lowered Fork Height	in mm		1.97				50							
27	Power Unit Height	in mm		29.92				760							
28	Fork Lengths	in mm		45.28				1150							
29	Fork Dimensions	Thickness x Width	in mm	1.57 x 3.94				40 x 100							
30	Width Across Forks	in mm		9.92 - 31.50				252 - 800							
31	Headlength	in mm		25.2				640							
32	Overall Length	in mm						Headlength + Fork Length							
33	Inside Straddle	in mm		38.62 / 42.56 / 46.50 / 50.43				981 / 1081 / 1181 / 1281							
34	Overall Width	Front	in mm	31.5				800							
		Rear	in mm	Inside Straddle + 7.87				Inside Straddle + 200							
35	Fork Carriage Width	in mm		33.27				845							
36	Ground Clearance	w/ Load below Mast	in mm	1.57				40							
37		Center Wheelbase	in mm	1.57				40							
38	Turning Radius	in mm		52.95				1345							
39	Length w/ Outriggers	in mm		56.14				1426							
Performance															
40	Travel Speed	w/ wo Load	mph km/h	2.61 / 2.80				4.2 / 4.5							
41	Lift Speed	w/ wo Load	fpm/m/s	21.65 / 31.50				0.11 / 0.16							
42	Lowering Speed	w/ wo Load	fpm/m/s	25.59 / 21.65				0.13 / 0.11							
44	Max Gradeability	w/ wo Load	%					4 / 10							
45	Service Brake							electromagnetic							
Battery															
47	Battery Voltage (Nominal Capacity 5 Hour Rating)	24V Lithium battery (PSE26N SL)	V / Ah					24 / 60							
48	Type of Controller							DC speed Control							
49	Battery Weight	24V Lithium battery (PSE26N SL)	lb kg	42				19							

Note: English conversions are approximations. Metric conversions should be done to find true values.



MONTREAL (Head office)
 19151 A, Cruickshank Avenue
 Baie-D'Urfé (Québec) H9X 3N9
 Phone: 418 694-4223
 Toll free: 1 866 421-4223
info@elevex.ca
elevex.ca

QUEBEC
 1279, Paul-Émile Giroux St. Suite 200
 Québec (Québec) G1C 0K9

SAGUENAY
 2305, Alexis-Le-Trotteur St.
 Jonquière (Québec) G7X 9H8

