

# ELECTRIC

## ROUGH TERRAIN FORKLIFT

**3** in 1

- ✓ Design for **ROUGH TERRAIN** application
- ✓ Perform like an **IC Engine** forklift
- ✓ With **Li-on** Battery



# FEATURES

## ROUGH TERRAIN FORKLIFT

### GRADEABILITY

Upto **30%** performance between diesel engine 2WD & 4WD, Suitable for most of middle-low rough terrain application.

### DRIVE SPEED

**20 km/h**, the fastest electric forklift in market

### CHARGING TIME

Less than **2 hours**, quick charge, high efficiency

### OVERALL WIDTH

**1450 mm**, designed for orchard constrains



**ELEVEX**<sup>™</sup>  
Material Handling Solutions



● **LIFTING SPEED**

**380 mm/sec**, perform like a IC engine powered forklift

● **LOWERED HEIGHT**

**2135 mm**, allows container and door ways operation

● **GROUND CLEARANCE**

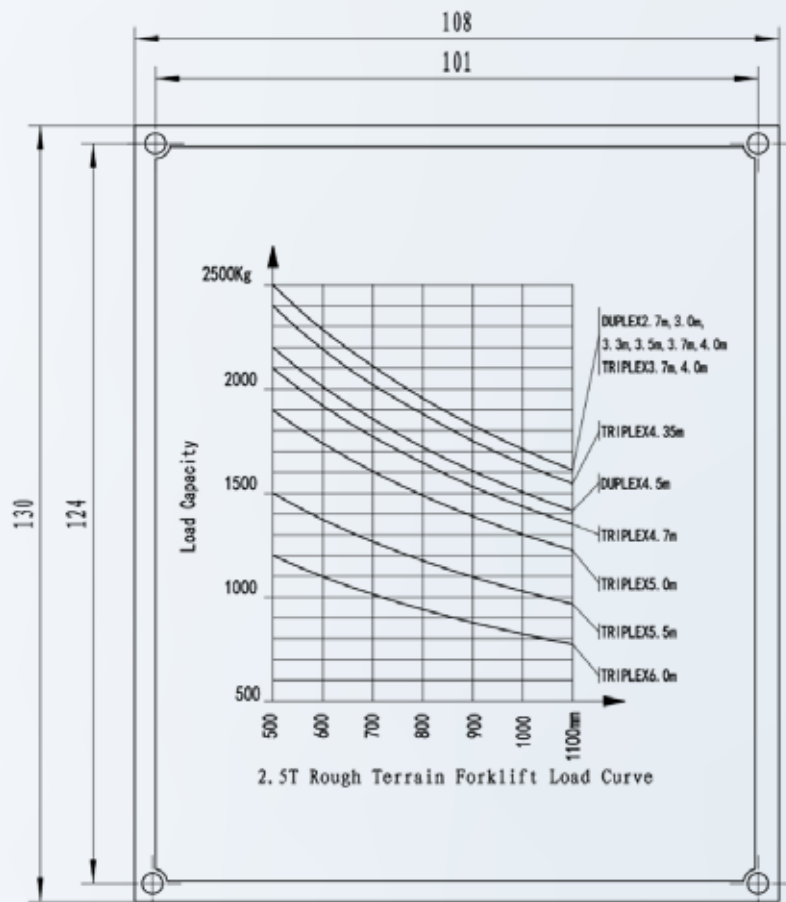
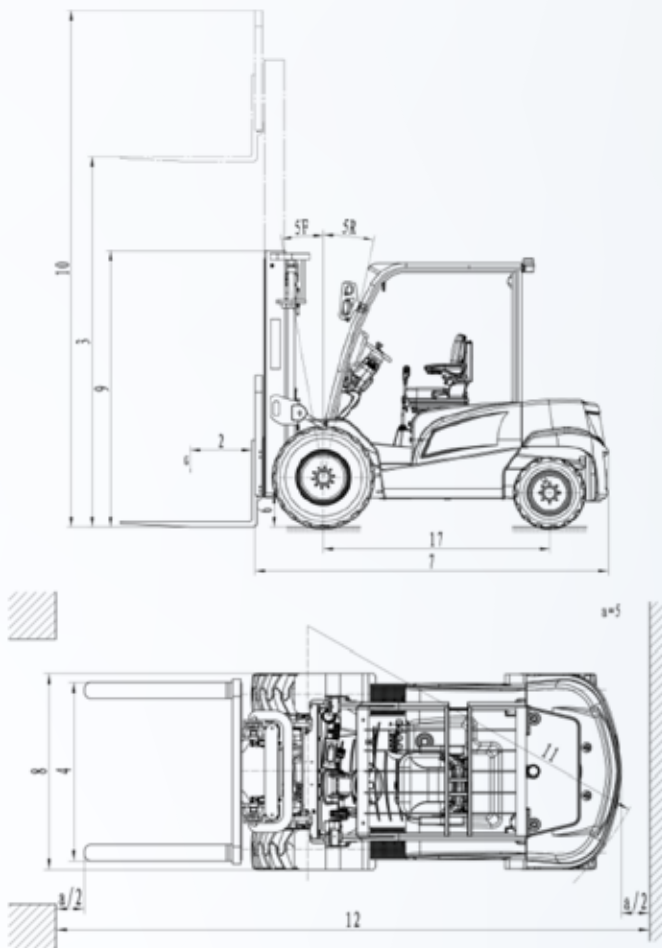
**270 mm**, high ground clearance for rough terrain application

● **TURNING RADIUS**

**2730 mm**, independent drive wheel, great maneuverability

# CONFIGURATIONS

DIMENSION	Overall width	Overall width	Designed for Orchard constrains
	Overall height	Overall height	Allows container and door ways operation
PRODUCTIVITY	Ground clearance	270mm	High grond clearance for rough terrain application
	Turning radius	2730mm	Independent drive wheel, great maneuverability
	Greadability	30% with load	Meet with the requirements of most
	Drive speed	20km/h	The fastest electric forklift in market
	Lifting speed	400mm/sec	Perform like a IC engine powered forklift
GREEN POWER LI-ON	Working hours	4-6 hours	Integrated BMS continually monitors energy management, ensure reliability
	Charging Time	Less than 2 hours	Quick charge, high elciency
	Emission	no limitation in EU&US	Environmental friendly
SAFETY	Water proof		IP54 water-proof standard
	Brakes	Wet-disc brake	Higher stability and reliability than traditional drum brakes
	OPS system		Ops system disable traction and operation device when driver leave seat
ERGONOMIC	Noise	73 Db	Operator hearing protection
	Vibration		Reduce the fatigue strength of the driver
	Operating space		Operating space more than 40% larger than conventional electric forklift
TOC TOTAL COST OF OWNERSHIP	Energy saving	10KWH/hour	60-70% operation cost lower than diesel powered engine
	maintenance cost		Maintenance free no-brush AC motor, low service cost



# FORKLIFT SPECIFICATION

## RT Series 1.8T & 2.5T

### General

Model			FE2R T 18-Li	FE2R T 18-Pb	FE2R T 25-Li	FE2R T 25-Pb
1	Power Type		Li-on battery	Lead-acid battery	Li-on battery	Lead-acid battery
2	Load centre	mm	600	600	600	600

### Characteristic & Dimension

3	Lift height	mm	3000	3000	3000	3000	
4	Fork regulating range	Min./Max.	mm	200-1000	200-1000	250-1160	200-1000
5	Mast tilt angle	F/R	Deg	10/12	10/12	10/12	10/12
6	Minimum ground clearance	mm	270	270	270	270	
7	Overall Dimensions	Length to face of fork (without fork)	mm	2850	2850	2871	2871
8		Overall width	mm	1450	1450	1450	1450
9		Mast lowered height	mm	2150	2150	2230	2230
10		Mast extend height (with backrest)	mm	4145	4145	4170	4170
11	Turning Radius	mm	2730	2730	2730	2730	
12	Min. right angle stacking aisle width	a=1000, b=1200	mm	4800	4800	4860	4860
13		a=1200, b=800	mm	4400	4400	4460	4460

### Performance

14		Lifting (laden)	mm/s	380	380	350	350
15		Lowering (laden)	mm/s	450	450	450	450
16	Max. Gradeability (laden)	%	30	30	25	25	

### Tyre

17	Wheel base	mm	1840	1840	1840	1840
----	------------	----	------	------	------	------

### Weight

18	Self weight	kg	3640	3900	4480	4480		
19	Weight Distribution	Laden	Front axel	kg	4270	4850	6100	6100
20			Rear axel	kg	720	850	880	880
21		Unladen	Front axel	kg	1440	1600	1800	1800
22			Rear axel	kg	2200	2300	2680	2680

### Power & Transmission

23	Battery	Voltage/Capacity	V/Ah	80/220	80/360	80/320	80/420
24	Motor	Manufacture		ZAPI	ZAPI	ZAPI	ZAPI
25	Transmission	Manufacture		PMP	PMP	PMP	PMP
26	Operating Pressure		Mpa	14.5	14.5	17.5	17.5

# COMPARISON OF WORKING COST

Model	Li-on battery forklift	Lead acid battery forklift	IC forklift
1.5T	Charger: Robinsen 48KW-250A	Charger: Shineng CZB3-60A/48V	Xinchai 485 engine
	1 hour charging: 15 degrees Charging for 1.7 hours: <b>20.2 degrees</b>	1 hour charging: 2.88 degrees Chargin for 10 hours: <b>28.8 degrees</b>	Normal working conditions: Fuel consumption <b>3 liters/hr</b>
	Charge for 1.7 hours: 20.2*1.02 conversion rate* 1.15 loss* 1 Electricity cost= <b>23.69 RMB</b>	Charge for 10 hours: 28.8*1.02 conversion rate* 1.15 loss* 1 Electricity cost= <b>39.74 RMB</b>	Cost per hour: 3*5.73 RMB= <b>17.19 RMB</b>
	Full charge cost: 23.69 RMB Working time 4-6 hours	Full charge cost: 39.74 RMB Working time 4-6 hours	Cost of working 5 hours per day: 5*17.19= <b>85.95 RMB</b>
	Cost per hour: <b>3.95-5.92 RMB</b>	Cost per hour: <b>6.62-9.94 RMB</b>	Cost per hour: <b>17.19 RMB</b>
	<b>Annual cost of 1,000 working hours: between 3950-5920 RMB</b>	<b>Annual cost of 1,000 working hours: between 6620-9940 RMB</b>	<b>Annual cost of 1,000 working hours: 17,190 RMB</b>

Model	Li-on battery forklift	Lead acid battery forklift	IC forklift
2.5T	Charger: Robinsen 80V/25KW-250A	Charger: Shineng CZB3-80A/48V	Xinchai 490 engine
	1 hour charging: 25 degrees Charging for 1.2 hours: <b>30 degrees</b>	1 hour charging: 3.84 degrees Chargin for 10 hours: <b>3.84 degrees</b>	Normal working conditions: Fuel consumption <b>4.5 liters/hr</b>
	Charge for 2.3 hours: 30*1.02 conversion rate* 1.15 loss* 1 Electricity cost= <b>35.19 RMB</b>	Charge for 10 hours: 3.84*1.02 conversion rate* 1.15 loss* 1 Electricity cost= <b>52.99 RMB</b>	Cost per hour: 4.5*5.73 RMB= <b>25.79 RMB</b>
	Full charge cost: 35.19 RMB Working time 4-6 hours	Full charge cost: 52.99 RMB Working time 4-6 hours	Cost of working 5 hours per day: 5*25.79= <b>128.95 RMB</b>
	Cost per hour: <b>5.87-8.80 RMB</b>	Cost per hour: <b>6.83-13.25 RMB</b>	Cost per hour: <b>25.79 RMB</b>
	<b>Annual cost of 1,000 working hours: between 5870-8800 RMB</b>	<b>Annual cost of 1,000 working hours: between 8830-13250 RMB</b>	<b>Annual cost of 1,000 working hours: 25,790 RMB</b>



**MONTREAL (Head office)**  
19151 A, Cruickshank Avenue  
Baie-D'Urfé (Québec) H9X 3N9  
Phone: 418 694-4223  
Toll free: 1 866 421-4223  
[info@elevex.ca](mailto:info@elevex.ca)  
[elevex.ca](http://elevex.ca)

**QUEBEC**  
1279, Paul-Émile Giroux St. Suite 200  
Québec (Québec) G1C 0K9

**SAGUENAY**  
2305, Alexis-Le-Trotteur St.  
Jonquière (Québec) G7X 9H8

