

# FORKLIFT TRUCK

# SCP140A-6

## STANDARD FEATURES

- ➔ Enclosed cab with automatic climate control and with a high back
- ➔ Powered tilting cab
- ➔ Reverse camera with object detection system
- ➔ Powerful Cummins engine

**30,870 lbs**

Rated Load Capacity

**40, 120 lbs**

Weight Without Load

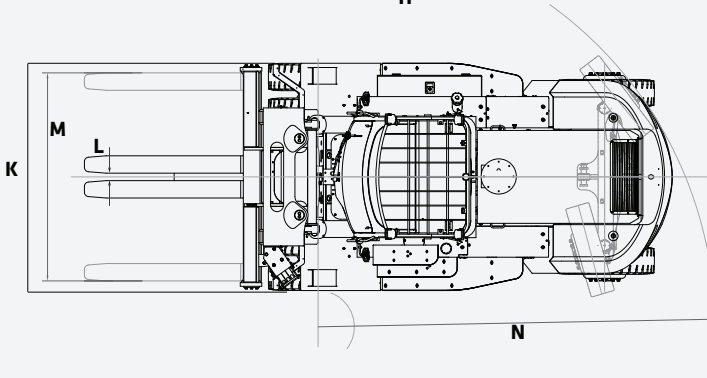
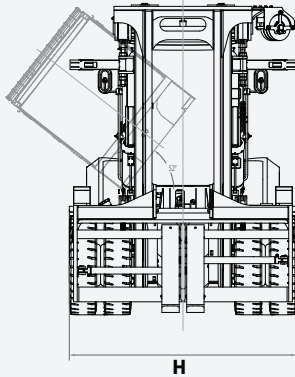
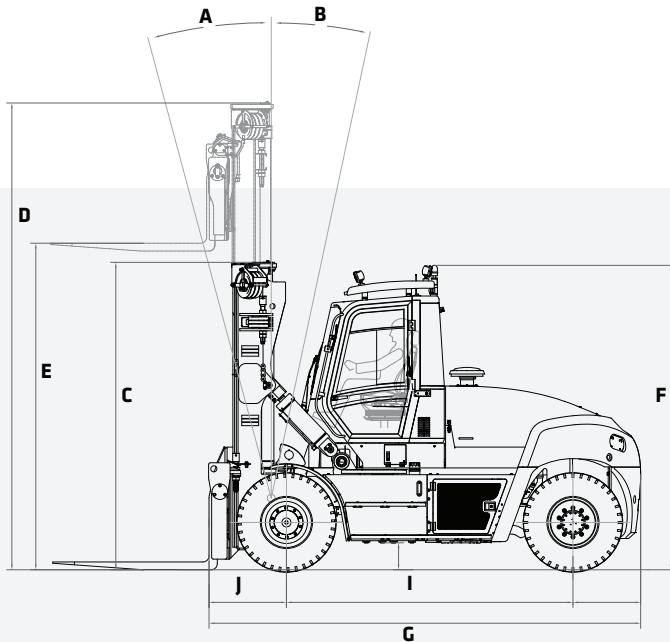
**130"**

Wheelbase

**Cummins Diesel**

Engine

## DIMENSIONS



### DIMENSIONS

#### MAST

A	Forward Tilt	12°	
B	Back Tilt	15°	
C	Height Lowered	140"	3 545 mm
D	Height Extended	212"	5 380 mm
E	Lift Height	148"	3 760 mm

#### OVERALL

F	Cab height	138"	3 510 mm
G	Length to Load Face	196"	4 970 mm
H	Width	103"	2 618 mm
I	Wheelbase	130"	3 300 mm
J	Load Distance	35"	891 mm

#### FORK

	Thickness	3.5"	90 mm
	Width	8"	200 mm
	Length	96"	2 440 mm

#### CARRIAGE

K	Width	99"	2 520 mm
---	-------	-----	----------

#### FORK SPREAD

L	In-In Minimum	3.4"	86 mm
M	Out-Out Maximum	94.3"	2 396 mm

#### GROUND CLEARANCE

	Minimum Ground Clearance	11.8"	300 mm
--	--------------------------	-------	--------

#### AISLE WIDTH

	With Load Length	319"	8 102 mm
--	------------------	------	----------

#### TURNING RADIUS

N	Outside	180"	4 571 mm
---	---------	------	----------

In the interest of continual equipment development, SANY Canada Ltd. reserves the right to change these specifications at any time without prior notification.  
©2023 SANY Canada Ltd.

STANDARD AND OPTIONAL EQUIPMENT

s = standard / o = optional

SCP140A-6	ENGINE
s	QSB 6.7l Cummins Diesel with 164HP @ 2,300rpm
s	Tier 4 Final EPA Emissions Compliant
s	High Intake, Long Life Air Filter w/ Safety Element
s	Fuel Filter with Water Separator
s	Variable Geometry Turbocharger
s	500-Hr Engine-Oil-Change Interval
s	Electronic Controlled
s	24V, 70A Alternator
DRIVETRAIN	
s	Dana TE-10 Transmission
s	3 FWD & 3 REV gears
s	Kessler D81 Drive Axle
s	Heavy Duty Wet Disc Brakes
s	Electronically Actuated Parking Brake
s	6 x 12.00-20 Pneumatic Tires
MAST	
s	Duplex Mast, MFH 148", OALH 140", EXT 212"
o	Duplex Mast, MFH 196", OALH 164", EXT 261"
s	Pin Type Carriage
o	Apron Type Carriage
s	Simultaneous and Independent Fork Positioner
o	Side Shift Carriage
s	96" x 7.87" x 3.54" Pin Type Forks
CABIN	
s	High Visibility Enclosed Cabin w/ Curved Glass
o	Grammer Air Suspension Cloth Seat
s	Climate Control with A/C and Heat
s	Ergonomic Multifunction Joystick
o	Individual Hydraulic Control Levers
s	Telescoping and Tilting Steering Column

STANDARD AND OPTIONAL EQUIPMENT

s = standard / o = optional

SCP140A-6	CABIN (CONTINUED)
s	Steering Wheel Spinner Knob
o	AM/FM Radio with 2 Speakers and USB Connectivity
s	Front, Rear and Top wiper
s	Top Retractable Sun Shade
s	12V/24V Power Supply
s	Push Button Applied Park Brake
o	Reading Light
s	Exterior Cabin Mounted Mirrors
s	Powered Tilting Cabin for Ease of Maintenance
ACCESSORIES	
o	Reverse Camera w/ 7" Color Display
s	Rear Object Detection Sensor up to 10"
s	Common Greasing Points for Steer Axle and Mast
s	Automatic Engine Fire Extinguisher
s	Locking Fuel Cap
o	Travel Speed Limiter
o	Integrated Tire Pressure Monitoring System
o	Extreme Cold Climate Package (Fuel, Engine and Hydraulics)
o	Customized Colors or Labels
s	Lockable Battery Disconnect Switch
o	Steer Wheel Lug Nut Protection
o	Rear Lifting Eyes
LIGHTS	
s	2 Front Fender Mounted LED Lights
s	2 Front Cab Mounted LED Lights
s	2 Rear Cab Mounted LED Lights
s	2 Mast Mounted LED Working Lights
o	Indicator and Hazard lights
o	Rotating Amber Beacon
o	Additional LED Lights

# PRODUCT SPECIFICATIONS FORKLIFT TRUCKS || SCP140A-6

## WORKING RANGE

SPECIFICATIONS		
<b>GENERAL</b>		
Rated Load Capacity	30,870 lbs	14 000 kg
Load Center	24"	610 mm
Load Distance	35"	891 mm
Wheelbase	130"	3 300 mm
Hydraulic Tank Capacity	48 gal	180 l
Fuel Tank Capacity	71 gal	270 l
<b>WEIGHTS</b>		
Total Truck Weight without Load	40,120 lbs	18 300 kg
Axle Loading with Load		
Front	66,360 lbs	30 100 kg
Rear	4,630 lbs	2 100 kg
Axle Loading without Load		
Front	21,380 lbs	9 700 kg
Rear	18,740 lbs	8 500 kg
<b>WHEELS</b>		
Tire Type	Pneumatic	
Tire Size		
Drive	12.00-20 18PR	
Steer	12.00-20 18PR	

## LIFTING PERFORMANCE

PERFORMANCE		
<b>SPEED</b>		
Travel		
With Load	15.5 mph	25 km/h
Without Load	16.8 mph	27 km/h
Lifting		
With Load	69 ft/min	0.35 m/s
Without Load	79 ft/min	0.40 m/s
Lowering		
With Load	98 ft/min	0.5 m/s
Without Load	94 ft/min	0.48 m/s
<b>DRAWBAR</b>		
Pull-Max	30,350 lbf	135 kN
<b>GRADEABILITY @ 1 MPH (1.6 KM/H)</b>		
With Load	37%	

In the interest of continual equipment development, SANY Canada Ltd. reserves the right to change these specifications at any time without prior notification.

POWERTRAIN		
<b>ENGINE</b>		
Type	Cummins QSB 6.7 Diesel	
Emmissions Type	EPA Tier 4 Final	
Output		
Rated	164 hp	122 kW
Governed Speed	2,300 rpm	
Cylinders		
Number	6	
Disp	6.7 l	
Turbocharger	Variable geometry	
<b>ALTERNATOR</b>		
Amps	24V	120A
Drive Axle	Kessler D81	
Transmission	Dana TE10	
<b>GEARS</b>		
Forward	3	
Reverse	3	
<b>BATTERY</b>		
Capacity	24 V 120 Ah	
<b>BRAKES</b>		
Service	Wet Disc	
Parking	Dry Disc	
<b>TANK CAPACITY</b>		
DEF	5 gal	19 l

MAST		
TYPE	Duplex	
*Height Maximum	148"	3 761 mm
*OALH	140"	3 545 mm
*Extended	212"	5 380 mm
*Freelift	-	-
Fork Type	Pin	
Carriage Type	Hook	

\* All imperial numbers have been rounded to the nearest whole number.  
\*Additional mast heights available



**MONTREAL (Head office)**  
19151 A, Cruickshank Avenue  
Baie-D'Urfé (Québec) H9X 3N9

Phone: 418 694-4223  
Toll free: 1 866 421-4223  
[info@elevex.ca](mailto:info@elevex.ca)



**QUEBEC**  
1279, Paul-Émile Giroux St. Suite 200  
Québec (Québec) G1C 0K9

**SAGUENAY**  
2305, Alexis-Le-Trotteur St.  
Jonquière (Québec) G7X 9H8



[elevex.ca](http://elevex.ca)