

## EMPTY CONTAINER HANDLER

## SDC90K7-C4

### STANDARD FEATURES

- ➔ Safety features include LED work light package, alarm system, reverse camera, object detection system and a dry chemical fire suppression system
- ➔ Components from brands you know and trust including Cummins, Dana, Kessler, and Parker.
- ➔ Power Pile Slope and vertical twist-lock on the spreader
- ➔ Elevated Cab

**19,842 lbs**

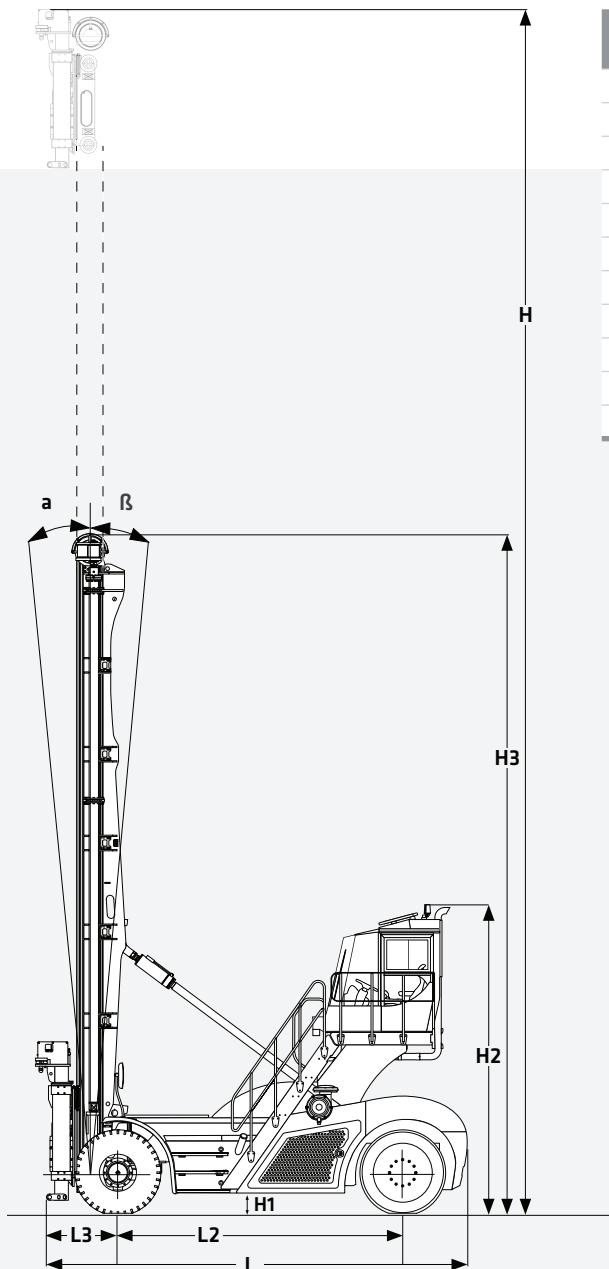
Max. Load

**17' 11"**

Wheelbase

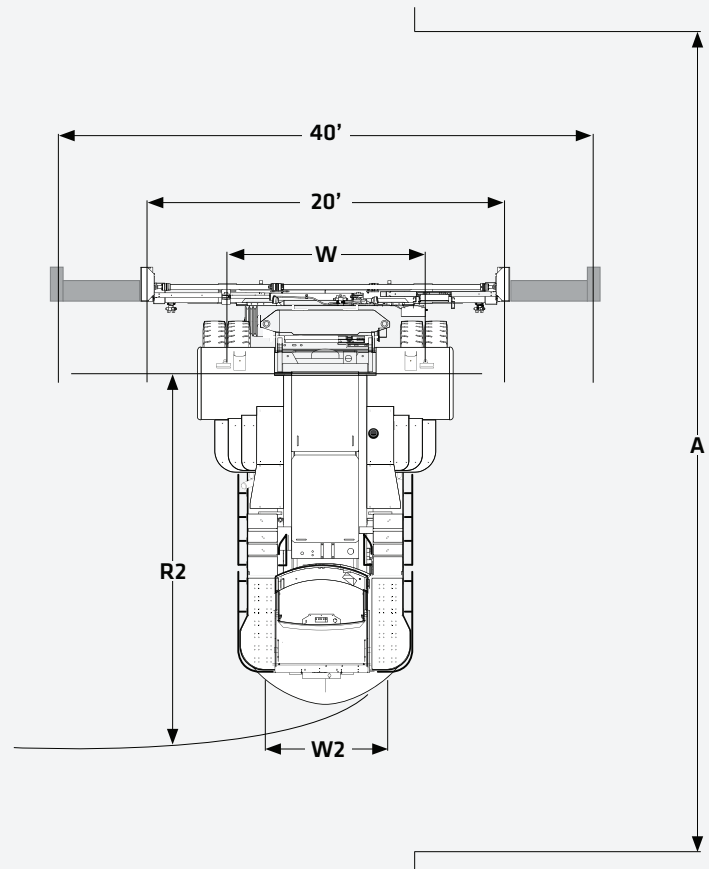
**7/6 (8' 6" / 9' 6")**  
Stacking Height

### DIMENSIONS



### DIMENSIONS

	Mast Tilt, Fwd/Back (a/B)	2°/4°	
<b>H3</b>	Mast Height Lowered	428"	10 871 mm
<b>H</b>	Mast Height Extended	757"	19 227 mm
<b>H2</b>	Cab Height	194"	4 940 mm
<b>L</b>	Overall Length	272"	6 910 mm
<b>W</b>	Track Width Drive Tires	129"	3 276 mm
<b>W2</b>	Track Width Steer Tires	85"	2 159 mm
<b>W1</b>	Spreader Width Extended / Retracted	238" / 479"	6 045 mm / 12 166 mm
<b>H1</b>	Ground Clearance Under Mast w/Load	11.8"	300 mm
<b>A</b>	Minimum Aisle Width 20' / 40'	394" / 551"	10 000 mm / 13 955 mm
<b>R2</b>	Outside Turning Radius	236"	5 994 mm



s = standard / o = optional

SDC90K7-C4	ENGINE
s	Cummins QSB6.7 EPA Diesel Engine with 225HP
s	Tier 4 Final EPA Emissions Compliant
s	24V, 95A Alternator
s	High Intake, Long Life Air Filter w/ Safety Element
s	Automatic Fire Extinguisher
s	Exhaust Outlet Above Cabin
HYDRAULIC SYSTEM	
s	Efficient Load Sensing Hydraulic System
s	Optimized Automatic Throttle Up During Lifting Operations
s	SDJ90II 20' /40' Container Spreader for Single Stack ISO Containers
s	Spreader Equipped with Powered Pile Slope
s	Side Shift up to 24" in Both Directions
s	Hydraulic Accumulator on Lift Circuit
s	Spreader Twist Lock Indicator Lights
DRIVETRAIN	
s	Dana 13.7HR3200 Powershift Transmission
s	3 FWD & 3 REV Gears
s	Kessler D81 Planetary Drive Axle w/ Wet Brakes
s	14.00 x 24, 28 Ply Drive and Steer Pneumatic Tires
ACCESSORIES	
s	Locking Fuel Cap
o	Cold Climate System: For Temperatures Down to -22°F
o	Empty Seat Shut Down (Factory Preset is 15 Minutes)
s	Lockable Battery Disconnect
s	Operator, Service and Parts Manuals (English)
s	Electric Horn
s	Wide Angle Mirrors
o	Twist Lock Counter

STANDARD AND OPTIONAL EQUIPMENT

s = standard / o = optional

SDC90K7-C4 OPERATOR'S STATION	
s	Enclosed High Visibility Cabin
s	High Mounted Cabin
s	Mechanical Full Suspension Cloth Seat (Grammer)
o	Air Ride, Full Suspension Cloth Seat (Grammer)
s	Stair Wells Leading to Both Sides of Cabin
s	Ergonomic Multi-Function Joy Stick
s	Intuitive Display Panel
s	Steering Wheel w/ Spinner Knob
s	24V to 12V DC/DC Converter
s	Rubber Floor Mat
s	Operator Presence and Restraint System
s	Rubber Mount Isolators to Reduce Cabin Vibrations
s	Automatic Climate Control with A/C and Heat
o	Reverse Camera w/ 7" Display
s	Object Detection Sensor up to 10' in Reverse Direction
o	Object Detection Sensor up to 16' in Reverse Direction
s	Telescoping and Tilting Steering Column
s	Front, Top and Rear Wipers
s	Recirculation Fan
s	Top Sun Shade
o	Training Seat
o	Additional Hour Meter (Located in Dash)
o	Reading Light
o	12V - 10A Power Supply
o	Radio System (Includes Radio, Speakers and Antenna)
o	Auxiliary Equipment Mounting Shelf
ELECTRICAL	
s	2 Front Facing Fender Mounted LED Lights
s	4 Forward Facing Cabin Mounted LED Work Lights
s	2 Rear Facing Mast Mounted LED Lights
s	4 Spreader Mounted LED Lights
s	Indicator and Hazard Lights
s	Rotating Amber Beacon on Boom

# PRODUCT SPECIFICATIONS EMPTY CONTAINER HANDLER ||| SDC90K7-C4

## WORKING RANGE

SPECIFICATIONS		
GENERAL		
Rated Load Capacity	19,800 lbs	9 000 kg
Load Center	48"	1 220 mm
Load Distance	45"	1 143 mm
Wheelbase	179"	4 550 mm
Hydraulic Tank Capacity		
Main	100 gal	380 l
Brake	24 gal	90 l
Fuel Tank Capacity	132 gal	500 l
WEIGHTS		
Total Truck Weight w/o Load	88,000 lbs	40 000 kg
Axle Loading with Load		
Front	84,567 lbs	38 359 kg
Rear	23,966 lbs	10 871 kg
Axle Loading without Load		
Front	54,238 lbs	24 602 kg
Rear	34,454 lbs	15 628 kg
WHEELS		
Tire Type	Pneumatic	
Tire Size		
Drive	14 x 24 28 Ply	
Steer	14 x 24 28 Ply	

## LIFTING PERFORMANCE

PERFORMANCE T4		
SPEED		
Travel		
With Load	13 mph	21 km/h
Without Load	16 mph	25 km/h
Lifting		
With Load	88 ft/min	0.44 m/s
Without Load	118 ft/min	0.60 m/s
Lowering		
With Load	118 ft/min	0.60 m/s
Without Load	108 ft/min	0.55 m/s
DRAWBAR		
Pull-Max	33,721 lbf	150 kN
GRADEABILITY @ 1 MPH (1.6 KM/H)		
With Load	25%	
Without Load	35%	

\* All imperial numbers have been rounded to the nearest whole number.  
 Ratings are based on ISO 10567:2007. Lift capacity does not exceed 75% of tipping load with the machine on firm, level ground or 87% of hydraulic lifting capacity.

POWERTRAIN T4		
ENGINE		
Type	Cummins Diesel	
Output		
Rated	225 hp	167 kW
Governed Speed	2,200 rpm	
Number of Cylinders	6	
Displacement	6 / 6.7 # / l	
Turbocharger	Water-cooled Variable Geometry	
Alternator	24V	95A
Drive Axle	Kessler D-81	
TRANSMISSION		
Model Number	HR32,000	
Forward	3	
Reverse	3	
BATTERY		
Capacity	2 x 12 V 165 Ah V/CCA	
BRAKES		
Service	Wet Disc	
Parking	Dry Disc	
TANK CAPACITY		
DEF	10 gal	38 l

In the interest of continual equipment development, SANY Canada Ltd. reserves the right to change these specifications at any time without prior notification.



**MONTREAL (Head office)**  
 19151 A, Cruickshank Avenue  
 Baie-D'Urfé (Québec) H9X 3N9

Phone: 418 694-4223  
 Toll free: 1 866 421-4223  
[info@elevex.ca](mailto:info@elevex.ca)



**QUEBEC**  
 1279, Paul-Émile Giroux St. Suite 200  
 Québec (Québec) G1C 0K9

**SAGUENAY**  
 2305, Alexis-Le-Trotteur St.  
 Jonquière (Québec) G7X 9H8



[elevex.ca](http://elevex.ca)